

HIGH-CAPACITY CORE IC PNEUMATIC



22000 - 30000 LBS.

SPECIFICATIONS



▶ 2THD220-300-24

CLASS
5

INTERNAL COMBUSTION ENGINE PNEUMATIC TIRE

ToyotaForklift.com

HIGH-CAPACITY CORE IC PNEUMATIC

CAPACITY
22000 - 30000 LBS.

MAXIMUM FORK HEIGHT
244 IN.

LOAD CENTER
24 IN.

INDUSTRIES



Lumber



Steel/Metals



Concrete



General
Manufacturing



Brick,
Block & Pipe



Mining



Oil & Gas

STANDARD FEATURES

DURABILITY

- Force-cooled wet disc brakes
- Heavy-duty planetary drive axle rated for high-capacity, off-road applications
- Rigidly constructed welded frame
- Engine protection system
- High-capacity cooling system
- Open-core radiator with fan shroud
- Welded-nested mast rails
- Pin-type forks
- Two-stage heavy-duty air cleaner
- Wide visible 2-stage mast (V)
- 24-Volt electrical system with two 12V batteries

SUPPORT

- Electrical horn
- Asbestos-free components
- Neutral safety switch
- Integrated overhead guard
- Operator Restraint System seat
- Orange forks
- Operator Presence Sensing System (OPSS)

PERFORMANCE

- CUMMINS® 4.5-liter Tier 4 Final diesel engine (4-cylinder)
 - Common-rail electronic fuel injection system
 - Turbocharged & intercooled
 - Self-regenerating DPF
 - SCR (Selective Catalytic Reduction)
- Dana TE-10 electronically controlled powershift transmission
- 7" touch-screen multi-function display
 - All gauges/instrumentation/warning lights
 - Controls for work lights, wipers, heat, air conditioning, and radio controls
 - Electronic diagnostics with fault code history
 - Reference library
 - Measurement, adjustment, and preference menus
- Full hydraulic power steering
- Dual pump "full flow", on-demand load sensing hydraulic system
- 2-function hydraulic control valve (lift & tilt)
- Independent brake & inching pedals
- Upswept exhaust

ERGONOMICS/CABIN

- Front and rear reflectors
- Mechanical suspension seat
- Telescopic and tilting steering column
- Floor mat
- Operator manual box
- Roof-mounted amber strobe
- Fingertip hydraulic controls
- Left-hand shift lever
- Long operator assist grips
- Spring-applied/hydraulic-release parking brake
- Standard premium cabin
 - Cup holder(s)
 - Enclosed cab with doors
 - Front, rear, and top wipers
 - Heat/defrost
 - Air conditioning
 - Operator fan
 - Dome light
 - Front LED work lights (2)
 - Rear work light
 - Stop/turn/tail combination lights
- Front turn signal lights (2)
- Aux 12V power supply
- USB charging port(s)
- Top and rear sunshades
- Rearview mirror
- AM/FM/MP3 radio with 2 speakers

SERVICEABILITY

- Remote oil drain
- Easy-access filters
- Easy-lift hoods, panels, and doors
- Externally serviceable brakes
- Cab tilt with manual handpump

OPTIONAL EQUIPMENT

POWERTRAIN

- Fuel cap, locking
- Password protected operation
- Auto shutdown timer
- Sped limiting, loaded
- Speed limiting, loaded and unloaded

CARRIAGE

- Sideshifter
- Fork positioner (dependant)
- Fork positioner (independent)
- SS/FP (dependant)
- SS/FP (independent)
- Various load backrest heights
- Tilt indicator, mechanical

TIRE/WHEEL

- Pneumatic - lugged, radial
- Pneumatic - lugged, radial, XZM
- Solid pneumatic

COLD START AID

- Engine block heater
- Engine pad warmer

CAB/CONTROLS

- Open cab
- Value cab
- Air ride suspension seat

INDICATORS & MISC.

- Forward camera system visibility aid
- Rear camera system visibility aid
- Dual camera system visibility aid
- Overload warning indicator
- Onboard load weighing system
- Fire extinguisher (5 lb. cab mount)
- Rear object detection radar
- Shock sensor warning system (with logging)
- Tire pressure monitoring system
- French Canadian language

HYDRAULIC

- Lift accumulator
- Tilt accumulator

ELECTRICAL

- Jumpstart receptacle (studs)
- Jumpstart receptacle (NATO)
- Lockable battery isolator

LIGHTS/ALARMS

- Extra work lights - LED rear facing (pair)
- Extra work lights - LED mast mount (pair)
- Extra work lights - LED fender mount (pair)
- Backup alarm
- Backup alarm (smart)
- Travel alarm (bi-directional)
- Horn, 24V, 110dB
- Horn, trumpet, 24V, 118dB
- Blue LED spot light, forward facing
- Blue LED spot light, rear facing

SERVICE/MAINTENANCE

- Cab tilt, powered with backup manual hand pump
- Front lift plate

PAINT (REQUIRES PAINT CODE & MAP)

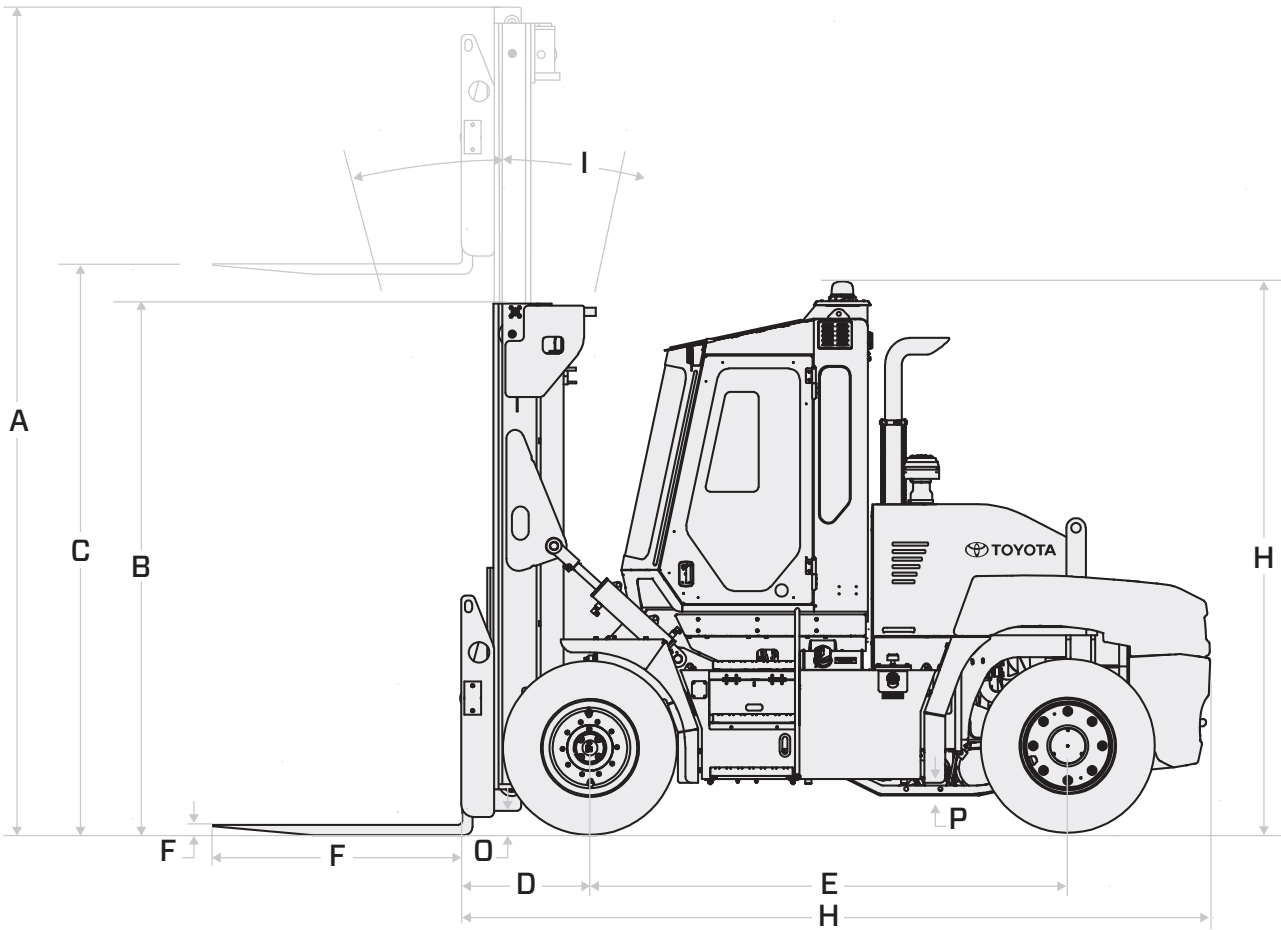
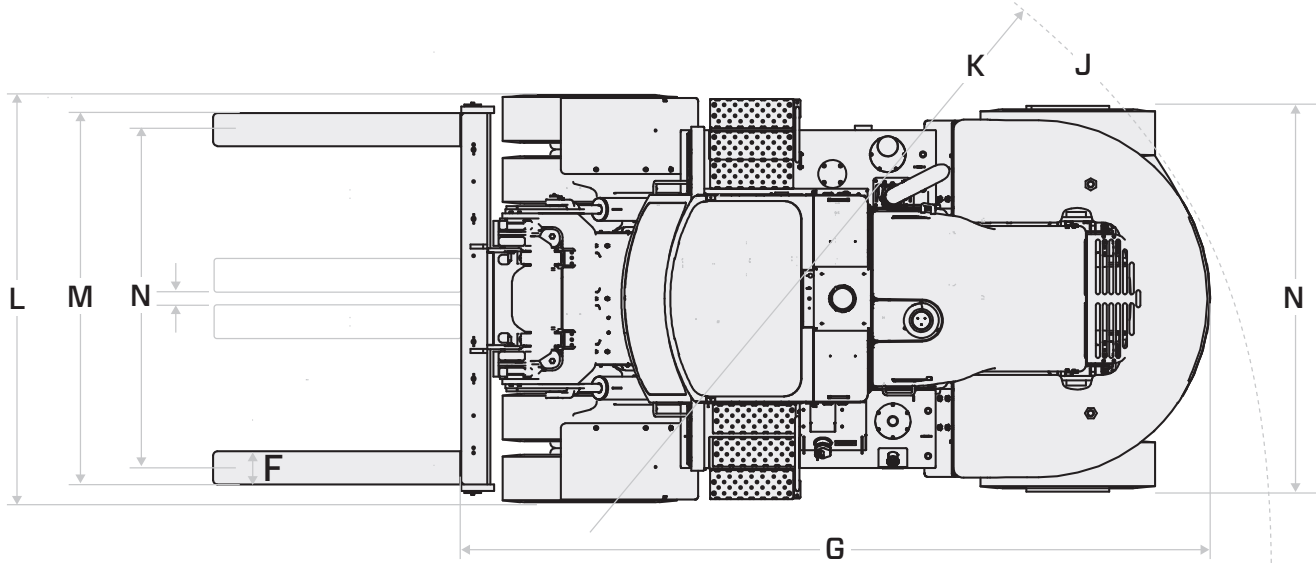
- Custom color (single)
- Intermodal tire striping
- Chevron striping on counterweight

TRUCK SPECIFICATIONS

| | | | MODEL NUMBERS | | | | | |
|------------------------------------------------|-----------------------------------------------------|---------------------------------|--------------------------------|---------------------------------|---------------------------------|------------------------------|------------------------------|----------------------------|
| MODEL | | | 2THD220-24 | 2THD240-24 | 2THD260-24 | 2THD280-24 | 2THD300-24 | |
| Load Capacity | | lb (kg) | 22000 (9979) | 24000 (10890) | 26000 (11790) | 28000 (12700) | 30000 (13610) | |
| Load Center | | in (mm) | 24 (610) | 24 (610) | 24 (610) | 24 (610) | 24 (610) | |
| Brakes (service foot / parking) | | | Wet Disc / Caliper (Disc) | | | | | |
| Transmission | | Type | PowerShift | | | | | |
| | | Speeds (fwd. / rev.) | mph 3 / 3 | | | | | |
| Internal Combustion Engine | | Make / Model | CUMMINS 4.5L | | | | | |
| | | Rated Horsepower @ rpm | SAE HP (kW) | 173 @ 2500 (129 @ 1500) | 173 @ 2500 (129 @ 1500) | 173 @ 2500 (129 @ 1500) | 173 @ 2500 (129 @ 1500) | 173 @ 2500 (129 @ 1500) |
| | | Rated Torque @ rpm | SAE ft-lb (N-m) | 520 @ 1500 (705 @ 1500) | 520 @ 1500 (705 @ 1500) | 520 @ 1500 (705 @ 1500) | 520 @ 1500 (705 @ 1500) | 520 @ 1500 (705 @ 1500) |
| Battery | | Voltage | V | 24 | 24 | 24 | 24 | 24 |
| EXTERIOR DIMENSIONS | | | 2THD220-24 | 2THD240-24 | 2THD260-24 | 2THD280-24 | 2THD300-24 | |
| A | Mast Extended Height | in (mm) | 199.37 (5064) | 199.37 (5064) | 199.37 (5064) | 199.37 (5064) | 199.37 (5064) | |
| B | Mast Lowered Height | in (mm) | 128 (3251) | 128 (3251) | 128 (3251) | 128 (3251) | 128 (3251) | |
| C | Maximum Fork Height (MFH) (top of forks) | in (mm) | 138 (3505) | 138 (3505) | 138 (3505) | 138 (3505) | 138 (3505) | |
| D | Load Distance ¹ | in (mm) | 30.70 (779) | 30.95 (786) | 30.95 (786) | 31.20 (792) | 31.20 (792) | |
| E | Wheelbase | in (mm) | 115 (2921) | 115 (2921) | 115 (2921) | 115 (2921) | 115 (2921) | |
| F | Fork Size (T x W x L) | in (mm) | 2.5 (64) / 8 (203) / 48 (1219) | 2.75 (70) / 8 (203) / 48 (1219) | 2.75 (70) / 8 (203) / 48 (1219) | 3 (76) / 8 (203) / 48 (1219) | 3 (76) / 8 (203) / 48 (1219) | |
| G | Length to Fork Face | in (mm) | 180.08 (4574) | 180.33 (4580) | 180.33 (4580) | 180.58 (4587) | 180.58 (4587) | |
| H | Overhead Guard Clearance | in (mm) | 133.41 (3388) | 133.41 (3388) | 133.41 (3388) | 133.41 (3388) | 133.41 (3388) | |
| I | Tilt Range (forward / backward) | deg | 15 / 12 | 15 / 12 | 15 / 12 | 15 / 12 | 15 / 12 | |
| J | Outside Turning Radius | in (mm) | 163.53 (4154) | 163.53 (4154) | 163.53 (4154) | 163.53 (4154) | 163.53 (4154) | |
| K | Basic Right-Angle Stacking Aisle Width ² | in (mm) | 194.23 (4933) | 194.48 (4940) | 194.48 (4940) | 194.73 (4946) | 194.73 (4946) | |
| L | Overall Width | in (mm) | 98.09 (2491) | 98.09 (2491) | 98.09 (2491) | 98.09 (2491) | 98.09 (2491) | |
| M | Tread Width | Front | in (mm) | 71.90 (1826) | 71.90 (1826) | 71.90 (1826) | 71.90 (1826) | 71.90 (1826) |
| | | Rear | in (mm) | 79.74 (2025) | 79.74 (2025) | 79.74 (2025) | 79.74 (2025) | 79.74 (2025) |
| N | Underclearance (full load) | Minimum with Load | in (mm) | 9.56 (243) | 9.56 (243) | 9.56 (243) | 9.56 (243) | 9.56 (243) |
| | | Center of Wheelbase | in (mm) | 13.5 (343) | 13.5 (343) | 13.5 (343) | 13.5 (343) | 13.5 (343) |
| PERFORMANCE DATA | | | 2THD220-24 | 2THD240-24 | 2THD260-24 | 2THD280-24 | 2THD300-24 | |
| Speeds | Maximum Travel (forward / reverse) | Full Load | mph (km/h) | 17.9 (28.8) / 17.9 (28.8) | 17.9 (28.8) / 17.9 (28.8) | 17.9 (28.8) / 17.9 (28.8) | 17.9 (28.8) / 17.9 (28.8) | 17.9 (28.8) / 17.9 (28.8) |
| | | No Load | mph (km/h) | 19.0 (30.5) / 19.0 (30.35) | 19.0 (30.5) / 19.0 (30.35) | 19.0 (30.5) / 19.0 (30.35) | 19.0 (30.5) / 19.0 (30.35) | 19.0 (30.5) / 19.0 (30.35) |
| | Lifting | Full Load | fpm (mm/sec) | 87 (442) | 87 (442) | 87 (442) | 87 (442) | 87 (442) |
| | | No Load | fpm (mm/sec) | 92 (467) | 92 (467) | 92 (467) | 92 (467) | 92 (467) |
| | Lowering | Full Load | fpm (mm/sec) | 92 (467) | 92 (467) | 92 (467) | 92 (467) | 92 (467) |
| | | No Load | fpm (mm/sec) | 88 (447) | 88 (447) | 88 (447) | 88 (447) | 88 (447) |
| FUEL CAPACITY | | | 2THD220-24 | 2THD240-24 | 2THD260-24 | 2THD280-24 | 2THD300-24 | |
| Fuel Tank | | US gal (L) | 31 (117) | 31 (117) | 31 (117) | 31 (117) | 31 (117) | |
| TRUCK WEIGHTS | | | 2THD220-24 | 2THD240-24 | 2THD260-24 | 2THD280-24 | 2THD300-24 | |
| Gross Weight (empty) | | lb (kg) | 37770 (17132) | 38314 (17379) | 38776 (17588) | 39627 (17974) | 39819 (18062) | |
| Weight Distribution | Front - Full Load | lb (kg) | 52157 (23644) | 55161 (25021) | 58020 (26317) | 61194 (27757) | 63880 (28975) | |
| | Rear - Full Load | lb (kg) | 7613 (3453) | 7153 (3245) | 6756 (3064) | 6430 (2917) | 5939 (2694) | |
| | Front - No Load | lb (kg) | 19693 (8933) | 19693 (8933) | 19597 (8889) | 19754 (8960) | 19480 (8836) | |
| | Rear - No Load | lb (kg) | 18077 (8199) | 18621 (8446) | 19597 (8889) | 19870 (9013) | 20339 (9226) | |
| ATTACHMENT | | | 2THD220-24 | 2THD240-24 | 2THD260-24 | 2THD280-24 | 2THD300-24 | |
| Auxiliary Hydraulic Function (for attachments) | Max. Operating Pressure | psi (kg/cm ²) (MPa) | 2700 (190) (18.6) | 2700 (190) (18.6) | 2700 (190) (18.6) | 2700 (190) (18.6) | 2700 (190) (18.6) | |
| | Max. Flow Rate | gpm | 25 | 25 | 25 | 25 | 25 | |
| TIRES | | | 2THD220-24 | 2THD240-24 | 2THD260-24 | 2THD280-24 | 2THD300-24 | |
| Type (front / rear) | | Pneumatic / Pneumatic | | | | | | |
| Number | Front / Rear | 4 / 2 | | | | | | |
| Size | Front | 10.00-20 16PR | | | | | | |
| | Rear | 10.00-20 16PR | | | | | | |

1 Centerline of front axle to front face of forks.
 2 Add load length & aisle clearance.

EXTERIOR DIMENSIONS



MAST SPECIFICATIONS

| MAST TYPE | MAXIMUM FORK HEIGHT (TOP OF FORKS) | OVERALL HEIGHT LOWERED | FREE- LIFT | TILT RANGE | | LOAD CAPACITY AT | | |
|-------------------|------------------------------------|------------------------|------------|------------|-----|-----------------------------------------------------------|-----------------------------------------------------------|------------------------------------------------------------|
| | | | | FWD | BWD | 24 IN. (610 MM) LOAD CENTER 2.75" x 8" x 48" (STD.) FORKS | 36 IN. (900 MM) LOAD CENTER 2.75" x 8" x 72" (OPT.) FORKS | 48 IN. (1220 MM) LOAD CENTER 2.75" x 8" x 96" (OPT.) FORKS |
| | | | | deg | deg | lb (kg) | lb (kg) | lb (kg) |
| 2THD220-24 | | | | | | | | |
| Wide Visible (V) | 138 (3505) | 128 (3251) | 0 | 15 | 12 | 22000 (9979) | 18167 (8240) | 14200 (6441) |
| | 154 (3912) | 136 (3454) | 0 | 15 | 12 | 22000 (9979) | 18167 (8240) | 14200 (6441) |
| | 174 (4419) | 146 (3708) | 0 | 15 | 12 | 22000 (9979) | 18167 (8240) | 14200 (6441) |
| | 194 (4927) | 156 (3962) | 0 | 15 | 12 | 22000 (9979) | 18167 (8240) | 14200 (6441) |
| | 204 (5182) | 166 (4216) | 0 | 15 | 12 | 22000 (9979) | 18167 (8240) | 14200 (6441) |
| | 224 (5690) | 176 (4470) | 0 | 15 | 12 | 22000 (9979) | 18167 (8240) | 14200 (6441) |
| | 244 (6198) | 186 (4724) | 0 | 15 | 12 | 22000 (9979) | 18167 (8240) | 14200 (6441) |

| MAST TYPE | MAXIMUM FORK HEIGHT (TOP OF FORKS) | OVERALL HEIGHT LOWERED | FREE- LIFT | TILT RANGE | | LOAD CAPACITY AT | | |
|-------------------|------------------------------------|------------------------|------------|------------|-----|-----------------------------------------------------------|-----------------------------------------------------------|------------------------------------------------------------|
| | | | | FWD | BWD | 24 IN. (610 MM) LOAD CENTER 2.75" x 8" x 48" (STD.) FORKS | 36 IN. (900 MM) LOAD CENTER 2.75" x 8" x 72" (OPT.) FORKS | 48 IN. (1220 MM) LOAD CENTER 2.75" x 8" x 96" (OPT.) FORKS |
| | | | | deg | deg | lb (kg) | lb (kg) | lb (kg) |
| 2THD240-24 | | | | | | | | |
| Wide Visible (V) | 138 (3505) | 128 (3251) | 0 | 15 | 12 | 24000 (10890) | 19818 (8989) | 16400 (7439) |
| | 154 (3912) | 136 (3454) | 0 | 15 | 12 | 24000 (10890) | 19818 (8989) | 16400 (7439) |
| | 174 (4419) | 146 (3708) | 0 | 15 | 12 | 24000 (10890) | 19818 (8989) | 16400 (7439) |
| | 194 (4927) | 156 (3962) | 0 | 15 | 12 | 24000 (10890) | 19818 (8989) | 16400 (7439) |
| | 204 (5182) | 166 (4216) | 0 | 15 | 12 | 24000 (10890) | 19818 (8989) | 16400 (7439) |
| | 224 (5690) | 176 (4470) | 0 | 15 | 12 | 24000 (10890) | 19818 (8989) | 16400 (7439) |
| | 244 (6198) | 186 (4724) | 0 | 15 | 12 | 24000 (10890) | 19818 (8989) | 16400 (7439) |

| MAST TYPE | MAXIMUM FORK HEIGHT (TOP OF FORKS) | OVERALL HEIGHT LOWERED | FREE- LIFT | TILT RANGE | | LOAD CAPACITY AT | | |
|-------------------|------------------------------------|------------------------|------------|------------|-----|-----------------------------------------------------------|-----------------------------------------------------------|------------------------------------------------------------|
| | | | | FWD | BWD | 24 IN. (610 MM) LOAD CENTER 2.75" x 8" x 48" (STD.) FORKS | 36 IN. (900 MM) LOAD CENTER 2.75" x 8" x 72" (OPT.) FORKS | 48 IN. (1220 MM) LOAD CENTER 2.75" x 8" x 96" (OPT.) FORKS |
| | | | | deg | deg | lb (kg) | lb (kg) | lb (kg) |
| 2THD260-24 | | | | | | | | |
| Wide Visible (V) | 138 (3505) | 128 (3251) | 0 | 15 | 12 | 26000 (11790) | 21470 (9738) | 16400 (7439) |
| | 154 (3912) | 136 (3454) | 0 | 15 | 12 | 26000 (11790) | 21470 (9738) | 16400 (7439) |
| | 174 (4419) | 146 (3708) | 0 | 15 | 12 | 26000 (11790) | 21470 (9738) | 16400 (7439) |
| | 194 (4927) | 156 (3962) | 0 | 15 | 12 | 26000 (11790) | 21470 (9738) | 16400 (7439) |
| | 204 (5182) | 166 (4216) | 0 | 15 | 12 | 26000 (11790) | 21470 (9738) | 16400 (7439) |
| | 224 (5690) | 176 (4470) | 0 | 15 | 12 | 26000 (11790) | 21470 (9738) | 16400 (7439) |
| | 244 (6198) | 186 (4724) | 0 | 15 | 12 | 26000 (11790) | 21470 (9738) | 16400 (7439) |

| MAST TYPE | MAXIMUM FORK HEIGHT (TOP OF FORKS) | OVERALL HEIGHT LOWERED | FREE- LIFT | TILT RANGE | | LOAD CAPACITY AT | | |
|-------------------|------------------------------------|------------------------|------------|------------|-----|--------------------------------------------------------|--------------------------------------------------------|---------------------------------------------------------|
| | | | | FWD | BWD | 24 IN. (610 MM) LOAD CENTER 3" x 8" x 48" (STD.) FORKS | 36 IN. (900 MM) LOAD CENTER 3" x 8" x 72" (OPT.) FORKS | 48 IN. (1220 MM) LOAD CENTER 3" x 8" x 96" (OPT.) FORKS |
| | | | | deg | deg | lb (kg) | lb (kg) | lb (kg) |
| 2THD280-24 | | | | | | | | |
| Wide Visible (V) | 138 (3505) | 128 (3251) | 0 | 15 | 12 | 28000 (12700) | 23121 (10487) | 19000 (8618) |
| | 154 (3912) | 136 (3454) | 0 | 15 | 12 | 28000 (12700) | 23121 (10487) | 19000 (8618) |
| | 174 (4419) | 146 (3708) | 0 | 15 | 12 | 28000 (12700) | 23121 (10487) | 19000 (8618) |
| | 194 (4927) | 156 (3962) | 0 | 15 | 12 | 28000 (12700) | 23121 (10487) | 19000 (8618) |
| | 204 (5182) | 166 (4216) | 0 | 15 | 12 | 28000 (12700) | 23121 (10487) | 19000 (8618) |
| | 224 (5690) | 176 (4470) | 0 | 15 | 12 | 28000 (12700) | 23121 (10487) | 19000 (8618) |
| | 244 (6198) | 186 (4724) | 0 | 15 | 12 | 28000 (12700) | 23121 (10487) | 19000 (8618) |

| MAST TYPE | MAXIMUM FORK HEIGHT (TOP OF FORKS) | OVERALL HEIGHT LOWERED | FREE- LIFT | TILT RANGE | | LOAD CAPACITY AT | | |
|-------------------|------------------------------------|------------------------|------------|------------|-----|--------------------------------------------------------|--------------------------------------------------------|---------------------------------------------------------|
| | | | | FWD | BWD | 24 IN. (610 MM) LOAD CENTER 3" x 8" x 48" (STD.) FORKS | 36 IN. (900 MM) LOAD CENTER 3" x 8" x 72" (OPT.) FORKS | 48 IN. (1220 MM) LOAD CENTER 3" x 8" x 96" (OPT.) FORKS |
| | | | | deg | deg | lb (kg) | lb (kg) | lb (kg) |
| 2THD300-24 | | | | | | | | |
| Wide Visible (V) | 138 (3505) | 128 (3251) | 0 | 15 | 12 | 30000 (13610) | 24773 (11237) | 19000 (8618) |
| | 154 (3912) | 136 (3454) | 0 | 15 | 12 | 30000 (13610) | 24773 (11237) | 19000 (8618) |
| | 174 (4419) | 146 (3708) | 0 | 15 | 12 | 30000 (13610) | 24773 (11237) | 19000 (8618) |
| | 194 (4927) | 156 (3962) | 0 | 15 | 12 | 30000 (13610) | 24773 (11237) | 19000 (8618) |
| | 204 (5182) | 166 (4216) | 0 | 15 | 12 | 30000 (13610) | 24773 (11237) | 19000 (8618) |
| | 224 (5690) | 176 (4470) | 0 | 15 | 12 | 30000 (13610) | 24773 (11237) | 19000 (8618) |
| | 244 (6198) | 186 (4724) | 0 | 15 | 12 | 30000 (13610) | 24773 (11237) | 19000 (8618) |



TOYOTA

⚠ DANGER
STAY CLEAR

⚠ DANGER
Handle loads
with care.
STAY CLEAR

⚠ DANGER
Handle loads
with care.
STAY CLEAR

Some product features described herein are optional. Please consult your dealer for specifications. Details of specifications and equipment are based on information available at time of printing and may change without notice.

