

HIGH-CAPACITY REACH TRUCK



3200 - 4500 LBS.

SPECIFICATIONS



RF1-HCX | RF1-HCZ

CLASS
2

ELECTRIC MOTOR NARROW AISLE

ToyotaForklift.com



TOYOTA

TOYOTA

POWERLINE

HIGH-CAPACITY REACH TRUCK

CAPACITY
3200 - 4500 LBS.

LOAD CENTER
24 IN.

MAXIMUM FORK HEIGHT
542 IN.

INDUSTRIES



Distribution



Food Storage



Freezer



General Warehousing

STANDARD EQUIPMENT

PERFORMANCE

- 36 Volt Electrical System
- AC Powered Drive System with Torque Control
- AC Hydraulic System
- Multifunction Control Handle
- High speed lift and lowering with regenerative lowering
- Electric Power Steering Motor
- 7" Color Touchscreen Display Panel
 - Multifunctional Hour Meter
 - Time & Date Display
 - Programmable Travel, Acceleration, Lift/Lower Speeds, Reach/Retract & Coast Control
 - Fault Code Memory
 - Weight Display
- Two Speed Reach / Retract
- Current-controlled Proportional Valve
- Lowering-flow Limiter
- Lift System Relief Valve
- UL "E" Construction

OPERABILITY

- 180-Degree Electronic Power Steering
- Auto-Position Hold
- Fore-Aft Stance Operator Compartment
- Sidestance model with flip-down seat⁴
- Open-View 3-Stage Mast (FSW)
- Hydraulically Cushioned Mast Staging
- Hydraulic Cushioned Reach and Retract System
- Hydraulic Fork Deceleration at Floor Level
- 42 in. to 52 in. Base Leg Openings (ID)
 - in 1 in. increments^{1,2}
- Polyurethane Caster Wheel (8 in. x 4 in.)
- Polyurethane Drive Tire (13.5 in. dia. x 6.0 in.)
- Tandem Articulated, Bolt-On Polyurethane
 - Load Wheels (5 in. x 3.62 in.)
 - Load Wheels (6 x 4 in.)
- Electric Disc Brake
- Regenerative Plugging
- Ventilated Tractor Compartment with Door-Mounted High-Capacity Cooling Fan
- 36 in Tilting Load Backrest Extension (3° Fwd / 4.5° Bwd)
- ITA Class II Hook-Type Carriage (32 in. Wide)
- Forks: 42 in. x 1.5 in. x 4 in. / 42 in. x 1.75 in. x 4 in.
- Anti-Static Ground Strap
- Proportional Handle Plugging
- Lift Slowdown at Max Lift
- Adjustable Speed Limit Above Freelif (0-3.5 mph)
- View-through Carriage

ERGONOMICS

- Bubble Cushioned Padded Floor & Brake Pedal
- Low Step Height
- High Visibility Overhead Guard
- Safety Glass Mast Guard³
- Comfort-Padded Lean Points
- Cushioned Knee Pad
- Sit/Stand Operator Compartment⁴
- Adjustable height steer tiller⁴

SERVICEABILITY

- Battery Compartment Rollers
- Battery Retaining Gates (Adjustable)
- SB350 Gray Connector
- Bolt-on, Ductile Iron Base Legs
- Battery Discharge Indicator w/
 - Lift Interrupt
 - Self Diagnostics
 - Built-In Analyzer
 - Self-Adjusting Electric Disc Brake
 - Emergency Power Disconnect Switch
- Electro-Mechanical Horn
- Key Switch
- Enclosed Battery Compartment:
 - 21.2 in. x 38.62 in. x 31 in.
 - 23.8 in. x 38.62 in. x 31 in.

¹ Specify base leg opening size (Inside Dimension).

² When ordering the truck without a Sideshifter, in order to straddle the load ensure that the baseleg opening size (ID) is at least 2 in. greater than the load width.

³ When the cold storage/freezer conditioning option is ordered, the safety glass mast guard is replaced with the wire mesh mast guard.

⁴ Available on RF1-HCZ models only.

OPTION AVAILABILITY CHART

LOAD HANDLING

- Various Fork Length Options
- Forks, Side Tapered 4" x 1.75"
- Forks, Side and Top Tapered 4" x 1.75" with Floor Lowered Height
- Forks, 5 x 1.5 (4500 lb. Rated Forks)
- Forks, 4 x 1.5 (4500 lb. Rated Forks)
- Forks, Top Tapered with Floor Lowered Height
- Forks, Top Tapered and Polished with Floor Lowered Height
- Less Forks
- Forks Lower to Floor Height
- Various Tilting Load Backrest Extension Options
- Narrow Drive-In Rack Mast
- Custom Mast Height (1 in. increments), Non-standard Overlap, Requires Next Higher Mast
- Custom Mast Height (1 in. increments), Standard Overlap, Requires Next Higher Mast
- Remove Sideshift
- Integral Sideshifter, 4 in. Each Way

BODY

- Full Height Mast Guard, Glass
- Wire Mesh Mast Guard, Partial Height
- Wire Mesh Mast Guard, Full Height
- Overhead Guard Clear Shield
- Overhead Guard Mesh Shield
- Hinged Rear Operator Guard, Partial Length
- Hinged Rear Operator Guard, Full Length
- Custom Overhead Guard Height
- Inertial Dampener
- Fire Extinguisher, 2.5 lb. Dry Chemical

LIGHTS, INDICATORS & MISC.

- LED Overhead Guard Mounted Work Lights (Pair)
- Operator Compartment LED Dome Light
- LED Travel Activated Work Lights (1 Forward, 1 Reverse)
- LED Forward Travel Activated Work Light
- LED Reverse Travel Activated Work Light
- LED Strobe Light Options
- Special Mounting for Strobe Light (Bottom Mounted)
- Blue Spot Light, Key-on, Tractor First Only
- Blue Spot Light, Key-on, Both Directions
- Various Travel Alarm Options
- Electronic Horn

WHEELS AND TIRES

- Various Drive Tire Options
- Various Caster and Load Wheel Options
- Various Tapered Toe Box and Baseleg Options

PRODUCTIVITY

- Various RF Bracket Options
- Power Hook-Up for On-Board Terminal (2 amp)
- Power Hook-Up for On-Board Terminal (10 amp)
- Acculaser (Red)
- Acculaser (Green)
- Camera System Cable
- Carriage-Mounted Camera System
- Height Indicator
- Height and Tilt Indicator
- Weight Height Limit Display
- Auto Height Select (Includes Reach Interlock Switch)
- Mast Lift Limit Switch w/ Bypass (1 in. increments)
- Mast Lift Limit Switch w/o Bypass (1 in. increments)
- Travel Speed Limit Switch
- Mechanical Lift Stop
- Reach Interlock Switch

Option Availability Chart, continued

OPERABILITY AND COMFORT

- Rear OHG Posts
- Rear OHG Posts for Drive-In Rack
- Heavy Duty Drive Unit
- Steer Tiller Friction Block
- Steering Wheel Bar
- Secondary Control Handle
- Tiller 1" Shorter
- Forward Steering
- Reverse Steering
- Operator Compartment Sensing System
- Operator Compartment Sensing System for Cold Storage/Freezer
- Keyless On/Off Switch
- Electronic Key (Operator PIN Code Entry)
- Operator Compartment Fan
- Heated Handle and Floor
- Heated Seat
- On-board Easy Attach Power (For Cold Storage Clothing)

BATTERY ACCESSORIES

- Various Battery Connector Options
- Battery Access and Connector,
- Drive Tire Side
- Battery Side Gate Interlock
- Various Battery Spacer Options

SPECIAL MODELS

- UL Type "E" Rating
- UL Type "EE" Rating
- Sidestance Operator Compartment
- Special Paint Color with Black Mast
- Cold Storage Conditioning, Freezer

TRUCK SPECIFICATIONS

MODEL NUMBERS

GENERAL DATA				RF1-HC2X32		RF1-HC1X45	
Load Center		in (mm)		24 (600)		24 (600)	
Load Capacity ¹		lb (kg)		3200 (1451)		4500 (2041)	
Battery Compartment Size				21.2	23.8	21.2	23.8
Power Type				Battery		Battery	
Operator Position				Stand-Up Rider		Stand-Up Rider	
EXTERIOR DIMENSIONS				RF1-HC2X32		RF1-HC1X45	
				BATTERY COMPARTMENT SIZE		BATTERY COMPARTMENT SIZE	
				21.2"	23.8"	21.2"	23.8"
A Fork Lowered Height		in (mm)		3 (76)		3 (76)	
B Maximum Fork Height (MFH) ¹		in (mm)		444 (11278)	542 (13767)	444 (11278)	542 (13767)
C Free Lift		in (mm)		139 (3531)	185 (4699)	141 (3581)	187 (4750)
D Tilt Range	Fwd/Bwd	degrees		3/4.5		3/4.5	
E Mast Lowered Height		in (mm)		184 (4674)	230 (5842)	184 (4674)	230 (5842)
F Mast Extended Height		in (mm)		482 (12243)	580 (14732)	480 (12192)	578 (14681)
G Overhead Guard Height ¹		in (mm)		Contact Dealer		Contact Dealer	
H Wheelbase ³		in (mm)		66.1 (1679)	68.6 (1742)	64.9 (1648)	67.4 (1712)
I Battery Roller Height		in (mm)		7 (178)		7 (178)	
J Bumper to Centerline of Drive Wheel		in (mm)		11.35 (288)		11.35 (288)	
K Underclearance (center of wheelbase)	No Load	in (mm)		2 (51)		2 (51)	
L Head Length (Length to Fork Face) ³		in (mm)		69.8 (1773)	72.3 (1836)	65.2 (1656)	67.7 (1720)
M Truck Length (Length to End of Base Legs)		in (mm)		89.8 (2281)	92.3 (2344)	85.5 (2172)	88.0 (2235)
N Truck Mast Overall Width ²		in (mm)		32 (813)		32 (813)	
O Fork Size	T x W x L	in (mm)		1.5 x 4 x 42 (38 x 102 x 1067)		1.75 x 4 x 42 (44 x 102 x 1067)	
P Fork Spread (outer edge to edge)	Max./Max.	in (mm)		15 (381) / 30 (762)		15 (381) / 30 (762)	
Q Base Leg Width		in (mm)		5.25 (133)		6.0 (152)	
R Base Leg Inside Dimension (ID)		in (mm)		42 to 52 (1067 to 1321)		42 to 52 (1067 to 1321)	
S Base Leg Outside Dimension (OD)		in (mm)		52.5 to 62.5 (1334 to 1588)		54 to 64 (1372 to 1626)	
T Power Unit Width		in (mm)		49.5 (1257)		49.5 (1257)	
U Power Unit Height ⁴		in (mm)		51.5 (1308)		51.5 (1308)	
V Outside Turning Radius		in (mm)		82.6 (2022)	85.1 (2162)	82.6 (2022)	85.1 (2162)
Reach Stroke		in (mm)		42 (1067)		22.75 (578)	
Basic Right Angle Stacking Aisle Width ¹				Contact Dealer		Contact Dealer	
Carriage Height		in (mm)		36 (914)		36 (914)	
Step Height		in (mm)		9.25 (235)		9.25 (235)	
PERFORMANCE DATA				RF1-HC2X32		RF1-HC1X45	
				BATTERY COMPARTMENT SIZE		BATTERY COMPARTMENT SIZE	
				21.2"	23.8"	21.2"	23.8"
Speeds (Maximum) ⁵	Travel Tractor First	Full Load ⁶	mph (km/h)	6.5 (10.5)		6.5 (10.5)	
		No Load	mph (km/h)	7.5 (12.0)		7.5 (12.1)	
	Travel Forks First	Full Load	mph (km/h)	4.5 (7.2)		5.0 (8.0)	
		No Load	mph (km/h)	6.0 (9.7)		6.0 (9.7)	
	Lifting	Full Load	fpm (mm/sec)	100 (510)		90 (460)	
		No Load	fpm (mm/sec)	168 (850)		168 (850)	
	Lowering	Full Load	fpm (mm/sec)	230 (117)		230 (117)	
		No Load	fpm (mm/sec)	230 (117)		230 (117)	
	Out of Free Lift		mph (km/h)	0 - 3.5 (0 - 5.6)		0 - 3.5 (0 - 5.6)	
	Reach / Retract	Full Load	sec	3.6 / 3.6		2.4 / 2.4	
		No Load	sec	3.6 / 3.6		2.4 / 2.4	
	Tilt Time	Full Load	sec	N/A		N/A	
No Load		sec	N/A		N/A		
Suspension				Spring Loaded		Spring Loaded	
Gradability		%		5		5	
Grade Clearance		%		10		13	
TRUCK WEIGHTS				RF1-HC2X32		RF1-HC1X45	
				BATTERY COMPARTMENT SIZE		BATTERY COMPARTMENT SIZE	
				21.2"	23.8"	21.2"	23.8"
Total Weight	Without Battery	lb (kg)		9596 (4353)	10637 (4825)	9275 (4207)	10316 (4679)
TIRES				RF1-HC2X32		RF1-HC1X45	
				BATTERY COMPARTMENT SIZE		BATTERY COMPARTMENT SIZE	
				21.2"	23.8"	21.2"	23.8"
Tires	Tire Type	Drive / Caster / Load		Polyurethane		Polyurethane	
	Number (x = driven)	Drive / Caster / Load		1x / 1 / 4		1x / 1 / 4	
	Size (dia. X width)	Drive / Caster / Load	in (mm)	13.5 x 6.0 (343 x 152)		13.5 x 6.0 (343 x 152)	
		Caster	in (mm)	8 x 4 (203 x 102)		8 x 4 (203 x 102)	
Brake Pedal	Load	in (mm)	5 x 3.62 (127 x 92)		6 x 4 (152 x 102)		
			Electric Disc		Electric Disc		
POWER SYSTEM				RF1-HC2X32		RF1-HC1X45	
				BATTERY COMPARTMENT SIZE		BATTERY COMPARTMENT SIZE	
				21.2"	23.8"	21.2"	23.8"
Battery Type				Lead Acid		Lead Acid	
Battery ¹ (6-hour ratings)	Compartment Size (Maximum)	Length	in (mm)	21.22 (539)	23.77 (604)	21.22 (539)	23.77 (604)
		Width	in (mm)	38.62 (981)		38.62 (981)	
		Height	in (mm)	31 (787)		31 (787)	
	Voltage / Capacity	Maximum	V / AH	36 / 1240		36 / 1240	
		Min.	lb (kg)	2300 (1043)	2600 (1179)	2600 (1179)	3100 (1406)
Weight	Max.	lb (kg)	2600 (1179)	2900 (1315)	2900 (1315)	3600 (1633)	
Electric Motors	Drive	hp (kw)	7.1 (5.3)		7.1 (5.3)		
	Load Handling	hp (kw)	29.5 (22)		29.5 (22)		
Control Type	Drive		AC		AC		
	Load Handling		AC		AC		
	Power Steering		Transistor		Transistor		

1 Please contact your local Toyota dealer for more information.
 2 Add 3.0 in. (76 mm) at OHG side plates. Be aware of clearance between mast OAW and Drive-in rails.
 3 Subtract 1 in. without sideshift.
 4 Add 8.5 in. (216 mm) for optional extended operator backrest.

5 Maximum speed provided is after break-in period. Values vary with truck weight, rolling resistance, mast height, options, and battery condition.
 6 With loads greater than 1500 lb. (680 kg), 7.5 mph (12.1 km/h) for loads less than 1500 lb. (680 kg).

MODEL NUMBERS

GENERAL DATA				RF1-HC2Z32		RF1-HC1Z45	
Load Center		in (mm)		24 (600)		24 (600)	
Load Capacity ¹		lb (kg)		3200 (1451)		4500 (2041)	
Battery Compartment Size				21.2	23.8	21.2	23.8
Power Type				Battery		Battery	
Operator Position				Stand-Up Rider		Stand-Up Rider	
EXTERIOR DIMENSIONS				RF1-HC2Z32		RF1-HC1Z45	
				BATTERY COMPARTMENT SIZE		BATTERY COMPARTMENT SIZE	
				21.2"	23.8"	21.2"	23.8"
A	Fork Lowered Height	in (mm)		3 (76)		3 (76)	
B	Maximum Fork Height (MFH) ¹	in (mm)		444 (11278)	542 (13767)	444 (11278)	542 (13767)
C	Free Lift	in (mm)		139 (3531)	185 (4699)	141 (3581)	187 (4750)
D	Tilt Range	Fwd/Bwd	degrees	3/4.5		3/4.5	
E	Mast Lowered Height	in (mm)		184 (4674)	230 (5842)	184 (4674)	230 (5842)
F	Mast Extended Height	in (mm)		482 (12243)	580 (14732)	480 (12192)	578 (14681)
G	Overhead Guard Height ¹	in (mm)		Contact Dealer		Contact Dealer	
H	Wheelbase ³	in (mm)		68.1 (1729)	70.6 (1793)	66.9 (1699)	69.4 (1763)
I	Battery Roller Height	in (mm)		7 (178)		7 (178)	
J	Bumper to Centerline of Drive Wheel	in (mm)		11.35 (288)		11.35 (288)	
K	Underclearance (center of wheelbase)	No Load	in (mm)	2 (51)		2 (51)	
L	Head Length (Length to Fork Face) ³	in (mm)		71.8 (1823)	74.3 (1887)	67.2 (1707)	69.7 (1770)
M	Truck Length (Length to End of Base Legs)	in (mm)		91.8 (2332)	94.3 (2395)	89.5 (2273)	92.0 (2337)
N	Truck Mast Overall Width ²	in (mm)		32 (813)		32 (813)	
O	Fork Size	T x W x L	in (mm)	1.5 x 4 x 42 (38 x 102 x 1067)		1.75 x 4 x 42 (44 x 102 x 1067)	
P	Fork Spread (outer edge to edge)	Max./Max.	in (mm)	15 (381) / 30 (762)		15 (381) / 30 (762)	
Q	Base Leg Width	in (mm)		5.25 (133)		6.0 (152)	
R	Base Leg Inside Dimension (ID)	in (mm)		42 to 52 (1067 to 1321)		42 to 52 (1067 to 1321)	
S	Base Leg Outside Dimension (OD)	in (mm)		52.5 to 62.5 (1334 to 1588)		54 to 64 (1372 to 1626)	
T	Power Unit Width	in (mm)		49.5 (1257)		49.5 (1257)	
U	Power Unit Height ⁴	in (mm)		60 (1524)		60 (1524)	
V	Outside Turning Radius	in (mm)		87.5 (2146)	90.0 (2286)	86.5 (2197)	89.0 (2261)
	Reach Stroke	in (mm)		42 (1067)		22.75 (578)	
	Basic Right Angle Stacking Aisle Width ¹			Contact Dealer		Contact Dealer	
	Carriage Height	in (mm)		38 (965)		36 (914)	
	Step Height	in (mm)		9.25 (235)		9.25 (235)	
PERFORMANCE DATA				RF1-HC2Z32		RF1-HC1Z45	
				BATTERY COMPARTMENT SIZE		BATTERY COMPARTMENT SIZE	
				21.2"	23.8"	21.2"	23.8"
Speeds (Maximum) ⁵	Travel Tractor First	Full Load ⁶	mph (km/h)	6.5 (10.5)		6.5 (10.5)	
		No Load	mph (km/h)	7.5 (12.1)		7.5 (12.1)	
	Travel Forks First	Full Load	mph (km/h)	4.5 (7.2)		5.0 (8.0)	
		No Load	mph (km/h)	6.5 (10.5)		7.0 (11.3)	
	Lifting	Full Load	fpm (mm/sec)	100 (510)		90 (460)	
		No Load	fpm (mm/sec)	168 (850)		168 (850)	
	Lowering	Full Load	fpm (mm/sec)	230 (117)		230 (117)	
		No Load	fpm (mm/sec)	230 (117)		230 (117)	
	Out of Free Lift		mph (km/h)	0 - 3.5 (0 - 5.6)		0 - 3.5 (0 - 5.6)	
	Reach / Retract	Full Load	sec	3.6 / 3.6		2.4 / 2.4	
		No Load	sec	3.6 / 3.6		2.4 / 2.4	
	Tilt Time	Full Load	sec	2.7		2.7	
No Load		sec	2.0		2.7		
Suspension		Caster	Spring Loaded		Spring Loaded		
Gradability		%	5		5		
Grade Clearance		%	10		10		
TRUCK WEIGHTS				RF1-HC2Z32		RF1-HC1Z45	
				BATTERY COMPARTMENT SIZE		BATTERY COMPARTMENT SIZE	
				21.2"	23.8"	21.2"	23.8"
Total Weight	Without Battery	lb (kg)		9596 (4353)	10637 (4825)	9275 (4207)	10316 (4679)
TIRES				RF1-HC2Z32		RF1-HC1Z45	
				BATTERY COMPARTMENT SIZE		BATTERY COMPARTMENT SIZE	
				21.2"	23.8"	21.2"	23.8"
Tires	Tire Type	Drive / Caster / Load		Polyurethane		Polyurethane	
	Number (x = driven)	Drive / Caster / Load		1x / 1 / 4		1x / 1 / 4	
	Size (dia. X width)	Drive / Caster / Load	in (mm)	13.5 x 6.0 (343 x 152)		13.5 x 6.0 (343 x 152)	
		Caster	in (mm)	8 x 4 (203 x 102)		8 x 4 (203 x 102)	
	Load	in (mm)	5 x 3.62 (127 x 92)		6 x 4 (152 x 102)		
Brake Pedal				Electric Disc		Electric Disc	
POWER SYSTEM				RF1-HC2Z32		RF1-HC1Z45	
				BATTERY COMPARTMENT SIZE		BATTERY COMPARTMENT SIZE	
				21.2"	23.8"	21.2"	23.8"
Battery Type				Lead Acid		Lead Acid	
Battery ¹ (6-hour ratings)	Compartment Size (Maximum)	Length	in (mm)	21.27 (540)	23.77 (604)	21.27 (540)	23.77 (604)
		Width	in (mm)	38.62 (981)		38.62 (981)	
		Height	in (mm)	31 (787)		31 (787)	
	Voltage / Capacity	Maximum	V / AH	36 / 1240	36 / 1395	36 / 1240	36 / 1395
		Min.	lb (kg)	2600 (1179)	3100 (1406)	2600 (1179)	3100 (1406)
Weight	Min.	lb (kg)	2900 (1315)	3600 (1633)	2900 (1315)	3600 (1633)	
	Max.	lb (kg)					
Electric Motors	Drive	hp (kw)	7.1 (5.3)		7.1 (5.3)		
	Load Handling	hp (kw)	29.5 (22)		29.5 (22)		
Control Type	Drive		AC		AC		
	Load Handling		AC		AC		
	Power Steering		Transistor		Transistor		

1 Please contact your local Toyota dealer for more information.

2 Add 3.0 in. (76 mm) at OHG side plates. Be aware of clearance between mast OAW and Drive-in rails.

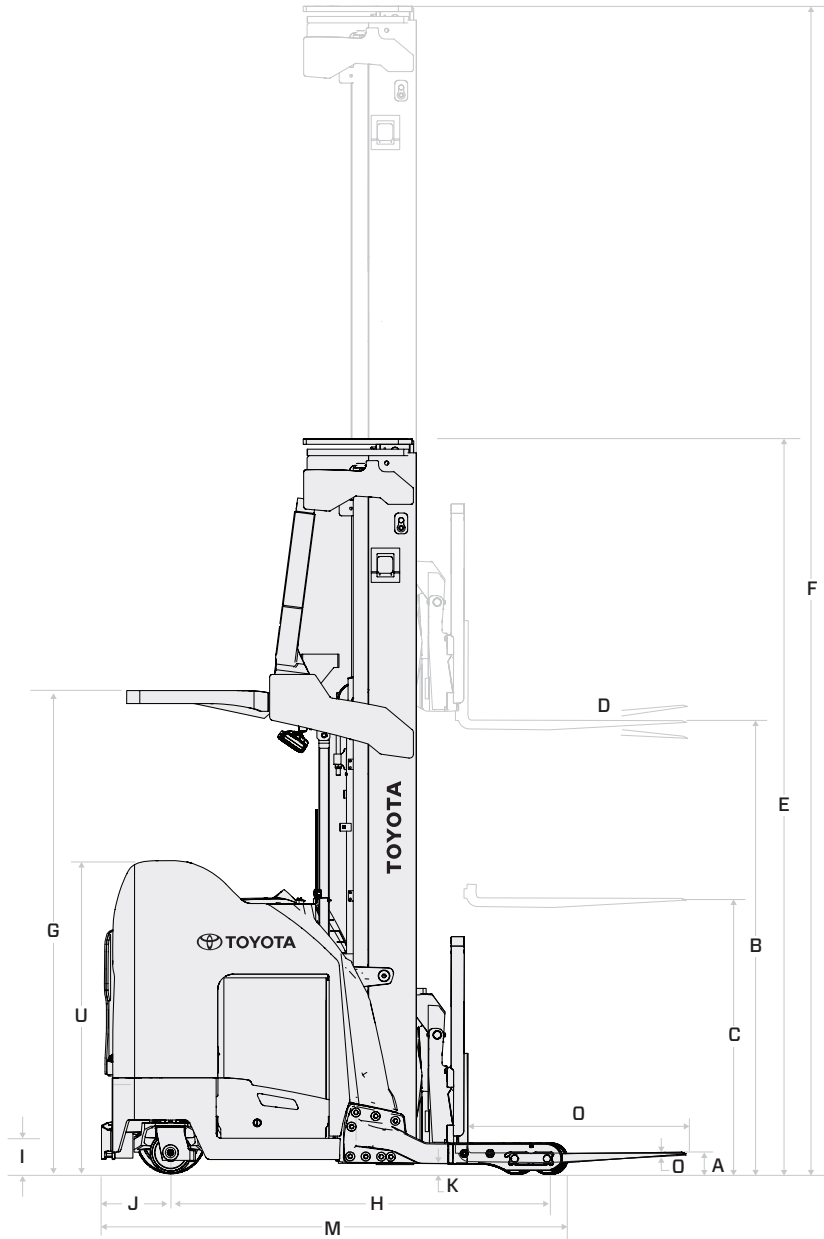
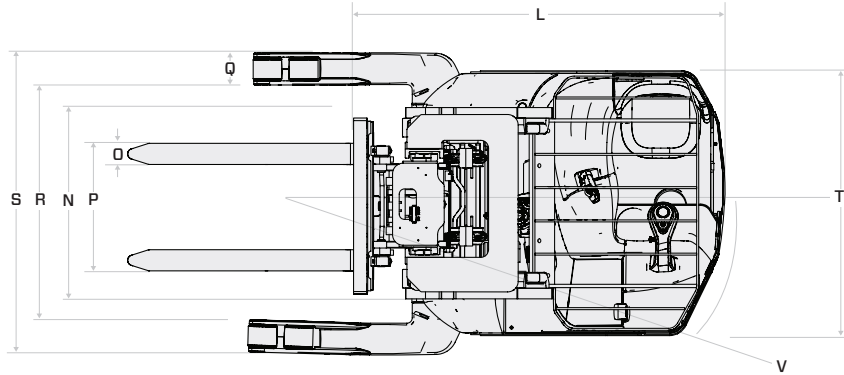
3 Subtract 1 in. without sideshift.

4 Add 8.5 in. (216 mm) for optional extended operator backrest.

5 Maximum speed provided is after break-in period. Values vary with truck weight, rolling resistance, mast height, options, and battery condition.

6 With loads greater than 1500 lb. (680 kg), 7.5 mph (12.1 km/h) for loads less than 1500 lb. (680 kg).

EXTERIOR DIMENSIONS



MAST SPECIFICATIONS

MAST TYPE	MAXIMUM FORK HEIGHT ¹ (TOP OF FORKS) in (mm)	OVERALL HEIGHT		FREE LIFT	OVERHEAD GUARD HEIGHT in (mm)	OVERHEAD COMPARTMENT HEIGHT in (mm)	TILT RANGE ²	
		LOWERED in (mm)	EXTENDED	WITH STANDARD 36" LOAD BACKREST			FWD deg	BWD deg
			WITH STANDARD 36" LOAD BACKREST in (mm)	WITH STANDARD 36" LOAD BACKREST in (mm)				
RF1-HC1X45								
Clear View Full-Free Lift Three-Stage Mast (FSW)	366 (9296)	158 (4013)	402 (10211)	109 (2768)	93.4 (2372)	82.15 (2087)	3	4.5
	378 (9601)	162 (4115)	414 (10516)	113 (2870)	93.4 (2372)	82.15 (2087)	3	4.5
	390 (9906)	166 (4216)	426 (10820)	117 (2972)	93.4 (2372)	82.15 (2087)	3	4.5
	399 (10135)	169 (4293)	435 (11049)	126 (3200)	93.4 (2372)	82.15 (2087)	3	4.5
	423 (10744)	177 (4496)	459 (11659)	134 (3404)	93.4 (2372)	82.15 (2087)	3	4.5
	444 (11278)	184 (4674)	480 (12192)	141 (3581)	93.4 (2372)	82.15 (2087)	3	4.5
	460 (11684)	196 (4978)	496 (12598)	153 (3886)	93.4 (2372)	82.15 (2087)	3	4.5
	475 (12065)	202 (5131)	511 (12979)	159 (4039)	93.4 (2372)	82.15 (2087)	3	4.5
	490 (12446)	209 (5309)	526 (13360)	166 (4216)	93.4 (2372)	82.15 (2087)	3	4.5
	505 (12827)	214 (5436)	541 (13741)	171 (4343)	93.4 (2372)	82.15 (2087)	3	4.5
	521 (13233)	223 (5664)	557 (14148)	180 (4572)	93.4 (2372)	82.15 (2087)	3	4.5
	533 (13538)	227 (5766)	569 (14453)	184 (4674)	93.4 (2372)	82.15 (2087)	3	4.5
542 (13767)	230 (5842)	578 (14681)	187 (4750)	93.4 (2372)	82.15 (2087)	3	4.5	

MAST TYPE	MAXIMUM FORK HEIGHT ¹ (TOP OF FORKS) in (mm)	OVERALL HEIGHT		FREE LIFT	OVERHEAD GUARD HEIGHT in (mm)	OVERHEAD COMPARTMENT HEIGHT in (mm)	TILT RANGE ²	
		LOWERED in (mm)	EXTENDED	WITH STANDARD 36" LOAD BACKREST			FWD deg	BWD deg
			WITH STANDARD 36" LOAD BACKREST in (mm)	WITH STANDARD 36" LOAD BACKREST in (mm)				
RF1-HC2X32								
Clear View Full-Free Lift Three-Stage Mast (FSW)	366 (9296)	158 (4013)	404 (10262)	113 (2870)	93.4 (2372)	82.15 (2087)	3	4.5
	378 (9601)	162 (4115)	416 (10566)	117 (2972)	93.4 (2372)	82.15 (2087)	3	4.5
	390 (9906)	166 (4216)	428 (10871)	121 (3073)	93.4 (2372)	82.15 (2087)	3	4.5
	399 (10135)	169 (4293)	437 (11100)	124 (3150)	93.4 (2372)	82.15 (2087)	3	4.5
	423 (10744)	177 (4496)	461 (11709)	132 (3353)	93.4 (2372)	82.15 (2087)	3	4.5
	444 (11278)	184 (4674)	482 (12243)	139 (3531)	93.4 (2372)	82.15 (2087)	3	4.5
	460 (11684)	196 (4978)	498 (12649)	151 (3835)	93.4 (2372)	82.15 (2087)	3	4.5
	475 (12065)	202 (5131)	513 (13030)	157 (3988)	93.4 (2372)	82.15 (2087)	3	4.5
	490 (12446)	209 (5309)	528 (13411)	164 (4166)	93.4 (2372)	82.15 (2087)	3	4.5
	505 (12827)	214 (5436)	543 (13792)	169 (4293)	93.4 (2372)	82.15 (2087)	3	4.5
	521 (13233)	223 (5664)	559 (14199)	178 (4521)	93.4 (2372)	82.15 (2087)	3	4.5
	533 (13538)	227 (5766)	571 (14503)	182 (4623)	93.4 (2372)	82.15 (2087)	3	4.5
542 (13767)	230 (5842)	580 (14732)	185 (4699)	93.4 (2372)	82.15 (2087)	3	4.5	

1 Recommended lift-off height is 10 in. (254 mm) higher than top beam height.
2 Tilting Load Backrest.

MAST TYPE	MAXIMUM FORK HEIGHT ¹ (TOP OF FORKS)	OVERALL HEIGHT		FREE LIFT	OVERHEAD GUARD HEIGHT	OVERHEAD COMPARTMENT HEIGHT	TILT RANGE ²	
		LOWERED	EXTENDED	WITH STANDARD 36" LOAD BACKREST			FWD	BWD
			WITH STANDARD 36" LOAD BACKREST	in (mm)				
RF1-HC1Z45								
Clear View Full-Free Lift Three-Stage Mast (FSW)	366 (9296)	158 (4013)	402 (10211)	109 (2768)	93.4 (2372)	82.15 (2087)	3	4.5
	378 (9601)	162 (4115)	414 (10516)	113 (2870)	93.4 (2372)	82.15 (2087)	3	4.5
	390 (9906)	166 (4216)	426 (10820)	117 (2972)	93.4 (2372)	82.15 (2087)	3	4.5
	399 (10135)	169 (4293)	435 (11049)	126 (3200)	93.4 (2372)	82.15 (2087)	3	4.5
	423 (10744)	177 (4496)	459 (11659)	134 (3404)	93.4 (2372)	82.15 (2087)	3	4.5
	444 (11278)	184 (4674)	480 (12192)	141 (3581)	93.4 (2372)	82.15 (2087)	3	4.5
	460 (11684)	196 (4978)	496 (12598)	153 (3886)	93.4 (2372)	82.15 (2087)	3	4.5
	475 (12065)	202 (5131)	511 (12979)	159 (4039)	93.4 (2372)	82.15 (2087)	3	4.5
	490 (12446)	209 (5309)	526 (13360)	166 (4216)	93.4 (2372)	82.15 (2087)	3	4.5
	505 (12827)	214 (5436)	541 (13741)	171 (4343)	93.4 (2372)	82.15 (2087)	3	4.5
	521 (13233)	223 (5664)	557 (14148)	180 (4572)	93.4 (2372)	82.15 (2087)	3	4.5
	533 (13538)	227 (5766)	569 (14453)	184 (4674)	93.4 (2372)	82.15 (2087)	3	4.5
542 (13767)	230 (5842)	578 (14681)	187 (4750)	93.4 (2372)	82.15 (2087)	3	4.5	

MAST TYPE	MAXIMUM FORK HEIGHT ¹ (TOP OF FORKS)	OVERALL HEIGHT		FREE LIFT	OVERHEAD GUARD HEIGHT	OVERHEAD COMPARTMENT HEIGHT	TILT RANGE ²	
		LOWERED	EXTENDED	WITH STANDARD 36" LOAD BACKREST			FWD	BWD
			WITH STANDARD 36" LOAD BACKREST	in (mm)				
RF1-HC2Z32								
Clear View Full-Free Lift Three-Stage Mast (FSW)	366 (9296)	158 (4013)	404 (10262)	113 (2870)	93.4 (2372)	82.15 (2087)	3	4.5
	378 (9601)	162 (4115)	416 (10566)	117 (2972)	93.4 (2372)	82.15 (2087)	3	4.5
	390 (9906)	166 (4216)	428 (10871)	121 (3073)	93.4 (2372)	82.15 (2087)	3	4.5
	399 (10135)	169 (4293)	437 (11100)	124 (3150)	93.4 (2372)	82.15 (2087)	3	4.5
	423 (10744)	177 (4496)	461 (11709)	132 (3353)	93.4 (2372)	82.15 (2087)	3	4.5
	444 (11278)	184 (4674)	482 (12243)	139 (3531)	93.4 (2372)	82.15 (2087)	3	4.5
	460 (11684)	196 (4978)	498 (12649)	151 (3835)	93.4 (2372)	82.15 (2087)	3	4.5
	475 (12065)	202 (5131)	513 (13030)	157 (3988)	93.4 (2372)	82.15 (2087)	3	4.5
	490 (12446)	209 (5309)	528 (13411)	164 (4166)	93.4 (2372)	82.15 (2087)	3	4.5
	505 (12827)	214 (5436)	543 (13792)	169 (4293)	93.4 (2372)	82.15 (2087)	3	4.5
	521 (13233)	223 (5664)	559 (14199)	178 (4521)	93.4 (2372)	82.15 (2087)	3	4.5
	533 (13538)	227 (5766)	571 (14503)	182 (4623)	93.4 (2372)	82.15 (2087)	3	4.5
542 (13767)	230 (5842)	580 (14732)	185 (4699)	93.4 (2372)	82.15 (2087)	3	4.5	

1 Recommended lift-off height is 10 in. (254 mm) higher than top beam height.
2 Tilting Load Backrest.



“I’M HERE TO MAKE SURE YOUR FORKLIFTS DON’T TAKE VACATION DAYS.”

Butch - 360 Technician, ProLift, Cincinnati, Ohio



HELP IS ALWAYS HERE WITH TOYOTA 360 SUPPORT.

The industry’s best and most comprehensive dealer network quickly delivers Toyota Certified Technicians to your work site. These specially trained technicians can also help assess your warehouse and facility needs to recommend the right equipment for the job. And with the largest fleet of material handling equipment, Toyota 360 keeps your business running at full speed.

ToyotaForklift.com/360-Support



YOUR BUSINESS IS RIDING ON IT.

Some product features described herein are optional. Please consult your dealer for specifications. Details of specifications and equipment are based on information available at time of printing and may change without notice.

