

# CORE ELECTRIC



3000 - 6500 LBS.

SPECIFICATIONS



8FBC15-18U | 8FBC20-32U | 8FBC20-25U-COMP | 8FBCH25-32U

CLASS

1

ELECTRIC MOTOR RIDERS

[ToyotaForklift.com](http://ToyotaForklift.com)

CAPACITY  
**3000 - 6500 LBS.**

MAXIMUM FORK HEIGHT  
**278 IN.**

LOAD CENTER  
**24 IN.**

INDUSTRIES



Beverage



Factory



Food Processing



Food Storage



General Manufacturing



General Warehousing



Retail

STANDARD FEATURES

SUPPORT

- System of Active Stability™ (SAS)
  - Active control rear stabilizer
  - Active Mast Control
- Operator Presence Sensing System (OPSS)
- Automatic Fork Leveling
- Synchronized Steering<sup>1</sup>
- Automatic Parking Brake with Electric Switch<sup>1</sup>
- Key Lowering Interlock
- Foot Activated Parking Brake<sup>2</sup>
- Asbestos Free Brakes
- Electric Horn
- Manual Return to Neutral
- Turn Speed Control with load and height sensing<sup>1</sup>
- MyInsights

PERFORMANCE

- AC drive system
- AC hydraulic lift system
- UL-approved model type “E”
- Three forms of energy regeneration
  - Coast control
  - Plug braking
  - Foot braking
- 4.3” Color (LCD) multifunction display<sup>1</sup>
  - Parking brake Indicator
  - OPS indicator
  - Error code Indicator
  - Battery discharge level indicator
  - Speedometer
- Power level indicator
- Low-speed setting indicator
- Brake hold indicator
- Overheat Warning Indicator
- Load Meter
- Multifunction Hour Meters
- Digital (LCD) multifunction display<sup>2</sup>
  - Time & Date
  - Speedometer
  - Multifunction hour meter
  - Battery capacity indicator
  - Over discharge warning (lift interrupt)
  - Parking brake indicator
- Low speed setting switch
- Direction indicator
- Mast tilt indicator
- Maximum speed limiter<sup>2</sup>
- Built-In analyzer
- Self-diagnostics
- Power select functions (H.P.S.E)<sup>1</sup>
- Power select functions (S.P.H.)<sup>2</sup>
- 3-way Hydraulic control valve
- Auto shut-off (programmable)
- Travel power control (acceleration)

BODY/EXTERIOR DESIGN

- Wide-view 2-stage mast (V)
- Punched plate entry/exit step
- 48” load backrest extension
  - With angled tie bar
- Smooth cushion tires
- Wide-view carriage bars
- Drawbar pin
- Tie-down hooks
- LED front headlights<sup>1</sup>
- ORS 4-way adjustable full-suspension seat
- Retractable non-cinching seatbelt
- High-visibility orange seatbelt<sup>1</sup>
- Wide-opening battery hood
- Bolt on overhead guard
- SB 350 battery connector (gray)
- 34.5” battery compartment<sup>2</sup> (3000 - 3500 lbs.)
- 27.4” battery compartment (4000 - 5000 lbs.)
- 30.5” battery compartment (4000 - 5000 lbs.)
- 34.2” battery compartment (5000 - 6500 lbs.)
- 36.6” battery compartment (6500 lbs.)

OPERABILITY & ERGONOMICS

- Strategically configured instrument display
- Hydrostatic (on demand) power steering
- Dual operator assist grips<sup>2</sup>
- Large Left and Right Side Operator Assist Grips
- Electric directional shift control
- Memory-tilt steering column<sup>1</sup>
- 11.8”-dia. two-spoke steering wheel
- Cowl-mounted hydraulic controls
- Heavy-duty non-slip floor mat
- Dash-integrated pen/pencil holder
- Hood-integrated clipboard
- Dash-mounted cup holder
- Inclined toe board<sup>1</sup>

SERVICEABILITY

- Maintenance-free AC motors
- Easy-access hydraulic motor
- Bolt-on overhead guard
- Easy-access, no-tools-required floorboard
- Battery compartment hood assist dampers
- Planned maintenance indicator
- Easy-access controller
- CAN-bus controller wiring<sup>1</sup>

<sup>1</sup> Only available on 8FBC20-32U models  
<sup>2</sup> Only available on 8FBC15-18U models

## OPTIONAL EQUIPMENT

### LOAD HANDLING

- Wide visible mast (V)
- Full free-lift 2-stage mast (FV)
- Full free-lift 3-stage mast (FSV)
- Full free-lift 4-stage mast (QFV)
- Tilt cylinder boots
- Mast tilt (Bottler's tilt forward)
- Tapered forks
- Fully tapered & polished forks
- Fork bar (wide carriage)
- High load backrest
- Side hosing termination
- Less mast & forks
- Less forks
- Less backrest
- 36" black forks
- 3 Degree Back Tilt (6°-3°)

### LOAD HANDLING (HOSE & VALVE ASSEMBLY)

- 3 Way Valve (No 3rd Function Hosing)
- 3 Way Valve (With 3rd Function Hosing)
- Cascade SideShifter - 3Way Valve, 3rd Function Hosing
- RightLine SideShifter - 3Way Valve, 3rd Function Hosing
- 4 Way Valve (No 3rd & 4th Function Hosing)
- 4 Way Valve (With 3rd Function Hosing)
- 4 Way Valve (With 3rd & 4th Function Hosing)
- Cascade SideShifter - 4Way Valve, 3rd & 4th Function Hosing
- RightLine SideShifter - 4Way Valve, 3rd & 4th Function Hosing
- Cascade Integral SideShifting Fork Positioner W/A450
- Toyota Intergral Side-Shifter
- Toyota Intergral Side-Shifter W/A430
- Toyota Intergral Side-Shifter W/A450
- Cascade Integral Side-Shifter
- Cascade Single Double Attachment
- Turret Specification Mast (Either 188" or 238" MFH)
- Turret Specification Carriage (Either 51" or 59" Overall Width)
- Hydraulic Quick Disconnects (Single)
- Hydraulic Quick Disconnects (Dual)
- Clamp Release interlock
- 72" standard taper forks

### LIGHTS & INDICATORS

- LED Headlights
- Front/Rear combination lights
- LED front/rear combination headlights
- Low-profile mast-mounted LED headlights
- Key off/headlights off system
- Rear Working Light
  - Low-profile LED headlights
- Operator compartment light
- LED strobe light (multiple options available)
- Rear-facing Blue Light, Keyswitch Activated
- Rear-facing Blue Light, Reverse Activated
- Key Activated, Forward Facing Blue Light
- Red Zone Light
- Fast Charge
- Arc Alert Red Zone Light
- Adjustable Volume Back-up Alarm (Smart Alarm)
- Back-Up Alarm
- Back up Buzzer
- Armrest Horn
- Fire extinguisher 2.5 lb. upgrade (including bracket)
- Fire extinguisher 5 lb. upgrade (including bracket)
- Forward Activated Front Facing Blue Light
- Low Profile LED RR Work Light
- SEnS+ Smart Environment Sensor Plus®
- SEnS Smart Environment Sensor®

### BODY

- Left-hand shift lever
- Pre-delivery inspection
- Mini-levers with ErgoShift
- EZ Fingertip Controls®
- EZ-Control Joystick® Upgrade (non-clamping attachments)
- Synchronized steering
- Electric Power Steering (EPS)
- Seatbelt Interlock
- Rearview mirrors (left & right sides)
- Center-mounted rear view mirror
- Plastic mirrors
- Rear crosswalk mirror
- Skid plate
- Travel speed/acceleration control system
- Power shut-down button
- Battery slide-out
- Battery roll-out
- Euro connector
- Rear pillar assist grip with horn
- Rear assist grip on roof with horn
- Touchpad keyless entry system
- Impact sensor
- Factory Set Speed Limit
- Battery compartment side panels
- Drive-in rack overhead guard
- Drive-in rack overhead guard with options
- Auto height select
- String cutter
- Pencil/tape holder
- Keyless ignition
- 12-Volt power supply (9 amps)
- 12-Volt power supply harness extension
- Anti-static strap
- Fully oil-charged lift cylinder
- Steering wheel with knob
- Swivel seat (multiple options available)
- ORS Cloth 4-way Full Suspension Seat
- Mordura Full Suspension Seat
- Swivel Seat (Cloth)
- Swivel Seat (Vinyl)
- Orange seatbelt
- Lowered 84.9" overhead guard with non-suspension seat
- Special paint (one or two color only)
- Hydraulic component guard for Cascade sideshifters
- Polycarbonate overhead guard cover
- Reverse Activated Work Light
- Operator cooling fan
- Exclusive key
- Optional battery connector colors (multiple options available)
- Toyota Lithium-ion Battery

Optional Equipment, continued

**CHASSIS**

- Power steering hose guard
  - EZ Pedal (foot directional control)
- 

**WHEELS & TIRES**

- Smooth, non-marking tires (front & rear)
  - Treaded, non-marking tires (front & rear)
  - Treaded tires (front & rear)
  - Wide tread (front tires)
  - Wide steer tire (6")
  - Smooth, white, non-marking tires (front & rear)
  - Removal of wide tread
  - Smooth RR Tires
- 

**SPECIAL MODEL**

- Compact specification (27.4" battery compartment)
    - UL-approved model
      - Type "E"
      - Type "EE"
  - Cold storage model
  - Rust proof specification
  - 48-Volt model
  - LIB-ready kit
- 

**TELEMATICS**

- T-Matics Command - iRF, Prox Card
- T-Matics Command - iRF, iButton

# TRUCK SPECIFICATIONS

## MODEL NUMBERS

| GENERAL DATA   |   |                           |              | 8FBC15U                 |                                    | 8FBC18U                 |                                    |  |
|--|---|---------------------------|--------------|-------------------------|------------------------------------|-------------------------|------------------------------------|--|
| Load Capacity  | lb (kg)   |                           |              | 3000 (1500)             |                                    | 3500 (1750)             |                                    |  |
| Power Type (battery)   | Voltage   | V                         |              | 36                      | 48                                 | 36                      | 48                                 |  |
| Battery Compartment Length   |   |                           |              | 26.8                    |                                    | 26.8                    |                                    |  |
| Operator Position  |   |                           |              | Seated Rider            |                                    | Seated Rider            |                                    |  |
| Tire Type  | Front / Rear  |                           |              |                         | Cushion / Cushion                  |                         | Cushion / Cushion                  |  |
| Wheels (x = driven)  | Front / Rear  |                           |              |                         | 2x / 2                             |                         | 2x / 2                             |  |
| EXTERIOR DIMENSIONS  |   |                           |              | 8FBC15U                 |                                    | 8FBC18U                 |                                    |  |
| <b>A</b>   | Maximum Fork Height (top of forks)                  | in (mm)                   |              |                         | 131 (3335)                         |                         | 131 (3335)                         |  |
| <b>B</b>   | Free-Lift (top of forks)                            | in (mm)                   |              |                         | 5.7 (145)                          |                         | 5.7 (145)                          |  |
| <b>C</b>   | Fork Size (T x W x L)                               | in (mm)                   |              |                         | 1.4 x 4 x 42 (35 x 100 x 1070)     |                         | 1.4 x 4 x 42 (35 x 100 x 1070)     |  |
| <b>D</b>   | Tilt Range (forward / backward)                     | deg                       |              |                         | 6 / 8                              |                         | 6 / 8                              |  |
| <b>E</b>   | Length to Fork Face                                 | in (mm)                   |              |                         | 76.8 (1950)                        |                         | 76.8 (1950)                        |  |
| <b>F</b>   | Overall Width                                       | in (mm)                   |              |                         | 37 (945)                           |                         | 37 (945)                           |  |
| <b>G</b>   | Mast Lowered Height                                 | in (mm)                   |              |                         | 83.1 (2110)                        |                         | 83.1 (2110)                        |  |
| <b>H</b>   | Mast Extended Height (top of load backrest)         | in (mm)                   |              |                         | 179.3 (4555)                       |                         | 179.3 (4555)                       |  |
| <b>I</b>   | Overhead Guard Height                               | in (mm)                   |              |                         | 86.4 (2195)                        |                         | 86.4 (2195)                        |  |
| <b>J</b>   | Turning Radius (inside / outside)                   | in (mm)                   |              |                         | 66.3 (1685)                        |                         | 66.3 (1685)                        |  |
| <b>K</b>   | Load Distance <sup>3</sup>                          | in (mm)                   |              |                         | 15.7 (400)                         |                         | 15.7 (400)                         |  |
| <b>L</b>   | Basic Right-Angle Stacking Aisle Width <sup>2</sup> | in (mm)                   |              |                         | 82.1 (2085)                        |                         | 82.1 (2085)                        |  |
| PERFORMANCE DATA   |   |                           |              | 8FBC15U                 |                                    | 8FBC18U                 |                                    |  |
|  |   |                           |              | 36V                     | 48V                                | 36V                     | 48V                                |  |
| Speeds <sup>3</sup><br>(V mast only)   | Maximum Travel<br>(fwd. / rev.)                     | Full Load                 | mph (km/h)   | 11.5 (18.5)             | 11.5 (18.5)                        | 11.3 (18.3)             | 11.3 (18.2)                        |  |
|  |   | No Load                   | mph (km/h)   | 11.5 (18.5)             | 11.5 (18.5)                        | 11.5 (18.5)             | 11.5 (18.5)                        |  |
|  | Lifting   | Full Load                 | fpm (mm/sec) | 88 (448)                | 108 (548)                          | 79 (400)                | 100 (510)                          |  |
|  |   | No Load                   | fpm (mm/sec) | 134 (680)               | 142 (720)                          | 134 (680)               | 142 (720)                          |  |
| Lowering   | Full Load   | fpm (mm/sec)              | 104 (527)    |                         | 104 (527)                          |                         |                                    |  |
|  | No Load   | fpm (mm/sec)              | 103 (524)    |                         | 103 (524)                          |                         |                                    |  |
| Drawbar Pull   | Full Load /<br>No Load                              | 3-Min. Rating             | lb (kg)      | 2090 (950) / 1700 (770) |                                    | 2080 (940) / 1670 (760) |                                    |  |
|  |   | 3-Min. Rating             | lb (kg)      | 2090 (950) / 1700 (770) |                                    | 2080 (940) / 1670 (760) |                                    |  |
|  |   | 60-Min. Rating            | lb (kg)      | 540 (250) / 580 (260)   |                                    | 530 (240) / 580 (260)   |                                    |  |
| Gradeability*  | Full Load /<br>No Load                              | 3-Min. Rating             | %            | 20 / 21                 |                                    | 18 / 20                 |                                    |  |
|  |   | 3-Min. Rating             | %            | 20 / 21                 |                                    | 18 / 20                 |                                    |  |
|  |   | 60-Min. Rating            | %            | 8 / 13                  |                                    | 7 / 13                  |                                    |  |
| TRUCK WEIGHTS  |   |                           |              | 8FBC15U                 |                                    | 8FBC18U                 |                                    |  |
| Total Weight   | lb (kg)   |                           |              | 4930 (2240)             |                                    | 5200 (2365)             |                                    |  |
| Weight Distribution <sup>4</sup>   | Full Load (front / rear)                            | lb (kg)                   |              |                         | 8360 (3910) / 1410 (660)           |                         | 9230 (4325) / 1310 (620)           |  |
|  | No Load (front / rear)                              | lb (kg)                   |              |                         | 2880 (1305) / 3890 (1765)          |                         | 2830 (1285) / 4210 (1910)          |  |
| TIRES  |   |                           |              | 8FBC15U                 |                                    | 8FBC18U                 |                                    |  |
| Tires  | Number (front / rear)                               |                           |              |                         | 2 / 2                              |                         | 2 / 2                              |  |
|  | Size (front / rear)                                 |                           |              |                         | 18 x 6 x 12-1 / 8 / 14 x 4-1 / 2x8 |                         | 18 x 6 x 12-1 / 8 / 14 x 4-1 / 2x8 |  |
| Wheelbase  | in (mm)   |                           |              | 48 (1220)               |                                    | 48 (1220)               |                                    |  |
| Tread Width (front / rear)   | in (mm)   |                           |              | 31.3 (795) / 32.3 (820) |                                    | 31.3 (795) / 32.3 (820) |                                    |  |
| Underclearance<br>(full load)  | Minimum <Drive Axle>                                | in (mm)                   |              |                         | 2.6 (65)                           |                         | 2.6 (65)                           |  |
|  | Center of Wheelbase                                 | in (mm)                   |              |                         | 3.1 (80)                           |                         | 3.1 (80)                           |  |
| Brake  | Service (foot) / Parking                            |                           |              |                         | Hydraulic / Foot                   |                         | Hydraulic / Foot                   |  |
| POWER SYSTEM   |   |                           |              | 8FBC15U                 |                                    | 8FBC18U                 |                                    |  |
| Battery  | Voltage / Capacity (STD)                            | V / Ah                    |              | 36 / 680                | 48 / 510                           | 36 / 680                | 48 / 510                           |  |
|  | 6-Hour Rating (high)                                | V / Ah                    |              | 36 / 880                | 48 / 660                           | 36 / 880                | 48 / 660                           |  |
| Electric Motors  | Drive   | kW                        |              | 8.5                     | 8.5                                | 8.5                     | 8.5                                |  |
|  | Load Handling                                       | kW                        |              | 10.3                    | 13.2                               | 10.3                    | 13.2                               |  |
| Control Type   | Drive   |                           |              |                         | Transistor Inverter                |                         | Transistor Inverter                |  |
|  | Load Handling                                       |                           |              |                         | Transistor Inverter                |                         | Transistor Inverter                |  |
|  | Power Steering                                      |                           |              |                         | Transistor Inverter                |                         | Transistor Inverter                |  |
| Auxiliary Hydraulic<br>Function Specifications<br>(for attachments) <sup>5</sup> | Max. Operating Pressure                             | psi (kg/cm <sup>2</sup> ) |              |                         | 2000 (140)                         |                         | 2000 (140)                         |  |
|  | Max. Flow Rate                                      | gpm (lpm)                 |              |                         | 5.28 (20)                          |                         | 5.28 (20)                          |  |

\* Computed values.

<sup>1</sup> V Mast

<sup>2</sup> At centerline of front axle to front face of forks.

<sup>3</sup> Add load length & clearance.

<sup>4</sup> Please see your local, authorized Toyota dealer for more information.

<sup>5</sup> With standard battery

<sup>6</sup> Values taken at Hydraulic Control Valve. Does not take in to consideration losses through mast plumbing (hosing, fittings, QDs, etc.).

# TRUCK SPECIFICATIONS

MODEL NUMBERS

| GENERAL DATA   |                                |                           |              | 8FBC20U                        |             | 8FBC20U-COMP                   |             | 8FBC25U                        |             |
|--|--------------------------------|---------------------------|--------------|--------------------------------|-------------|--------------------------------|-------------|--------------------------------|-------------|
| Load Capacity  |                                | lb (kg)                   |              | 4000 (1810)                    |             | 4000 (1810)                    |             | 5000 (2270)                    |             |
| Power Type (battery)   | Voltage                        | V                         |              | 36                             | 48          | 36                             | 48          | 36                             | 48          |
| Battery Compartment Length   |                                | in                        |              | 30.5"                          |             | 27.4"                          |             | 30.5"                          |             |
| Operator Position  |                                |                           |              | Rider Seated                   |             | Rider Seated                   |             | Rider Seated                   |             |
| Tire Type  | Front / Rear                   |                           |              | Cushion                        |             | Cushion                        |             | Cushion                        |             |
| Wheels (x = driven)  | Front / Rear                   |                           |              | 2x/2                           |             | 2x/2                           |             | 2x/2                           |             |
| EXTERIOR DIMENSIONS  |                                |                           |              | 8FBC20U                        |             | 8FBC20U-COMP                   |             | 8FBC25U                        |             |
| <b>A</b> Maximum Fork Height (top of forks)                                |                                | in (mm)                   |              | 131.5 (3340)                   |             | 131.5 (3340)                   |             | 131.5 (3340)                   |             |
| <b>B</b> Free-Lift (top of forks)  |                                | in (mm)                   |              | 6.1 (155)                      |             | 6.1 (155)                      |             | 6.1 (155)                      |             |
| <b>C</b> Fork Size (T x W x L)   |                                | in (mm)                   |              | 1.6 x 5 x 42 (40 x 125 x 1070) |             | 1.6 x 5 x 42 (40 x 125 x 1070) |             | 1.6 x 5 x 42 (40 x 125 x 1070) |             |
| <b>D</b> Tilt Range (forward / backward)                                   |                                | deg                       |              | 6/8                            |             | 6/8                            |             | 6/8                            |             |
| <b>E</b> Length to Fork Face   |                                | in (mm)                   |              | 81.7 (2075)                    |             | 79.9 (2030)                    |             | 84.3 (2140)                    |             |
| <b>F</b> Overall Width   |                                | in (mm)                   |              | 41.9 (1065)                    |             | 41.9 (1065)                    |             | 41.9 (1065)                    |             |
| <b>G</b> Mast Lowered Height   |                                | in (mm)                   |              | 83.3 (2115)                    |             | 83.3 (2115)                    |             | 83.3 (2115)                    |             |
| <b>H</b> Mast Extended Height (top of load backrest)                       |                                | in (mm)                   |              | 179.5 (4560)                   |             | 179.5 (4560)                   |             | 179.5 (4560)                   |             |
| <b>I</b> Overhead Guard Height   |                                | in (mm)                   |              | 88 (2235)                      |             | 88 (2235)                      |             | 88 (2235)                      |             |
| <b>J</b> Turning Radius (inside / outside)                                 |                                | in (mm)                   |              | 70.5 (1790)                    |             | 68.5 (1740)                    |             | 70.9 (1800)                    |             |
| <b>K</b> Load Distance <sup>1</sup>  |                                | in (mm)                   |              | 16.7 (425)                     |             | 16.7 (425)                     |             | 16.7 (425)                     |             |
| <b>L</b> Basic Right-Angle Stacking Aisle Width <sup>2</sup>               |                                | in (mm)                   |              | 87.2 (2215)                    |             | 85.2 (2165)                    |             | 87.6 (2225)                    |             |
| PERFORMANCE DATA   |                                |                           |              | 8FBC20U                        |             | 8FBC20U-COMP                   |             | 8FBC25U                        |             |
|  |                                |                           |              | 36V                            | 48V         | 36V                            | 48V         | 36V                            | 48V         |
| Speeds <sup>3</sup><br>(V mast only)                                       | Maximum Travel (FWD)           | H Mode: Full Load         | mph (km/h)   | 10.6 (17.0)                    | 12.1 (19.5) | 10.6 (17.0)                    | 12.1 (19.5) | 9.0 (14.5)                     | 11.2 (18)   |
|  |                                | H Mode: No Load           | mph (km/h)   | 10.9 (17.5)                    | 11.8 (19.0) | 10.9 (17.5)                    | 11.8 (19.0) | 10.6 (17.0)                    | 11.5 (18.5) |
|  |                                | P Mode: Full Load         |              | 9.8 (15.7)                     | 10.9 (17.6) | 9.8 (15.7)                     | 10.9 (17.6) |                                |             |
|  |                                | P Mode: No Load           |              | 10.3 (16.6)                    | 10.9 (17.6) | 10.3 (16.6)                    | 10.9 (17.6) |                                |             |
|  |                                | S Mode: Full Load         |              | 8.2 (13.2)                     | 10.3 (16.5) | 8.2 (13.2)                     | 10.3 (16.5) |                                |             |
|  |                                | S Mode: No Load           |              | 8.3 (13.4)                     | 10.6 (17.0) | 8.3 (13.4)                     | 10.6 (17.0) |                                |             |
|  | Lifting                        | Full Load                 | fpm (mm/sec) | 75 (381)                       | 102 (520)   | 75 (381)                       | 102 (520)   | 51 (260)                       | 69 (350)    |
|  |                                | No Load                   | fpm (mm/sec) | 115 (584)                      | 130 (660)   | 115 (584)                      | 130 (660)   | 91 (460)                       | 116 (590)   |
|  | Lowering                       | Full Load                 | fpm (mm/sec) | 98 (500)                       |             | 98 (500)                       |             | 98 (500)                       |             |
|  |                                | No Load                   | fpm (mm/sec) | 98 (500)                       |             | 98 (500)                       |             | 98 (500)                       |             |
| Drawbar Pull   | Full Load / No Load            | 3-Min. Rating             | lb (kg)      | 3320 (1510)                    | 2140 (970)  | 3320 (1510)                    | 2140 (970)  | 3290 (1490)                    | 2010 (910)  |
|  |                                | 3-Min. Rating             | lb (kg)      | 3320 (1510)                    | 2140 (970)  | 3320 (1510)                    | 2140 (970)  | 3290 (1490)                    | 2010 (910)  |
|  |                                | 60-Min. Rating            | lb (kg)      | 1610 (730)                     | 1700 (770)  | 1610 (730)                     | 1700 (770)  | 1580 (720)                     | 1690 (760)  |
| Gradeability*  | Full Load / No Load            | 3-Min. Rating             | %            | 25 / 23                        |             | 25 / 23                        |             | 21 / 19                        |             |
|  |                                | 3-Min. Rating             | %            | 25 / 23                        |             | 25 / 23                        |             | 21 / 19                        |             |
|  |                                | 60-Min. Rating            | %            | 11 / 19                        |             | 11 / 19                        |             | 9 / 17                         |             |
| TRUCK WEIGHTS  |                                |                           |              | 8FBC20U                        |             | 8FBC20U-COMP                   |             | 8FBC25U                        |             |
| Total Weight   | Without Battery                | lb (kg)                   |              | 6490 (2945)                    |             | 6660 (3020)                    |             | 7150 (3245)                    |             |
| Weight Distribution <sup>4</sup>   | Full Load                      | Front / Rear              | lb (kg)      | 11050 (5010) / (2090 (950))    |             | 11050 (5010) / 2090 (950)      |             | 12680 (5750) / 2140 (970)      |             |
|  | No Load                        | Front / Rear              | lb (kg)      | 3860 (1750) / (5280 (2395))    |             | 3860 (1750) / 5280 (2395)      |             | 3670 (1665) / 6130 (2780)      |             |
| TIRES  |                                |                           |              | 8FBC20U                        |             | 8FBC20U-COMP                   |             | 8FBC25U                        |             |
| Tires  | Number                         | Front / Rear              |              | 2 / 2                          |             | 2 / 2                          |             | 2 / 2                          |             |
|  | Size                           | Front / Rear              |              | 21 X 7 x 15 / 16 x 5 x 10.5    |             | 21 X 7 x 15 / 16 x 5 x 10.5    |             | 21 x 7 x 15 / 16 x 5 x 10.5    |             |
| Wheelbase  |                                | in (mm)                   |              | 51 (1295)                      |             | 51 (1295)                      |             | 51 (1295)                      |             |
| Tread Width  | Front / Rear                   | in (mm)                   |              | 35 (890) / 36 (915)            |             | 35 (890) / 36 (915)            |             | 35 (890) / 36 (915)            |             |
| Underclearance (full load)   | Minimum                        | in (mm)                   |              | 3.0 (75)                       |             | 3.0 (75)                       |             | 3.0 (75)                       |             |
|  | Center of Wheelbase            | in (mm)                   |              | 3.9 (100)                      |             | 3.9 (100)                      |             | 3.9 (100)                      |             |
| Brake  | Service (foot) / Parking Brake |                           |              | Hydraulic / Auto/Electric      |             | Hydraulic / Auto/Electric      |             | Hydraulic / Auto/Electric      |             |
| POWER SYSTEM   |                                |                           |              | 8FBC20U                        |             | 8FBC20U-COMP                   |             | 8FBC25U                        |             |
| Battery  | Voltage / Capacity (STD)       | V / Ah                    |              | 36 / 1020                      | 48 / 765    | 36 / 935                       | 48 / 680    | 36 / 1020                      | 48 / 765    |
|  | 6-Hour Rating (high)           | V / Ah                    |              | 36 / 1320                      | 48 / 990    | 36 / 1210                      | 48 / 880    | 36 / 1320                      | 48 / 990    |
| Electric Motors  | Drive                          | kW                        |              | 10.8                           | 14.8        | 10.8                           | 14.8        | 10.8                           | 14.8        |
|  | Load Handling                  | kW                        |              | 13.1                           | 21.5        | 13.1                           | 21.5        | 13.1                           | 21.5        |
| Control Type   | Drive                          |                           |              | Transistor Inverter            |             | Transistor Inverter            |             | Transistor Inverter            |             |
|  | Load Handling                  |                           |              | Transistor Inverter            |             | Transistor Inverter            |             | Transistor Inverter            |             |
|  | Power Steering                 |                           |              | Transistor Inverter            |             | Transistor Inverter            |             | Transistor Inverter            |             |
| Auxiliary Hydraulic Function Specifications (for attachments) <sup>5</sup> | Max Operating Pressure         | psi (kg/cm <sup>2</sup> ) |              | 2,580 (181)                    |             | 2,580 (181)                    |             | 2,580 (181)                    |             |
|  | Max Flow Rate                  | gpm (lpm)                 |              | 11.04                          |             | 11.04                          |             | 11.04                          |             |
| Please see your local, authorized Toyota dealer for more information.      |                                |                           |              |                                |             |                                |             |                                |             |

\* Computed values.

<sup>3</sup> Units ordered with A30H UL "EE" rating will have the same performance characteristics as the UL "E"-rated models. Values indicated reflect speed in H mode. (For S & P mode travel speeds loaded & unloaded, contact your local, authorized Toyota dealer).

<sup>4</sup> With standard battery.

<sup>5</sup> Values taken at Hydraulic Control Valve. Does not take in to consideration losses through mast plumbing (hosing, fittings, QDs, etc.).

<sup>6</sup> Units ordered with A30H UL "EE" rating will have the same performance characteristics as the UL "E" rated models.

**MODEL NUMBERS**

| GENERAL DATA   |                                |                           |                                | 8FBC25U-COMP              |                                | 8FBCH25U                  |                                  | 8FBC28U                   |             |
|--|--------------------------------|---------------------------|--------------------------------|---------------------------|--------------------------------|---------------------------|----------------------------------|---------------------------|-------------|
| Load Capacity  |                                | lb (kg)                   | 5000 (2270)                    |                           | 5000 (2270)                    |                           | 5500 (2490)                      |                           |             |
| Power Type (battery)   | Voltage                        | V                         | 36                             | 48                        | 36                             | 48                        | 36                               | 48                        |             |
| Battery Compartment Length   |                                | in                        | 27.4"                          |                           | 34.2"                          |                           | 34.2"                            |                           |             |
| Operator Position  |                                |                           | Rider Seated                   |                           | Rider Seated                   |                           | Rider Seated                     |                           |             |
| Tire Type  | Front / Rear                   |                           | Cushion                        |                           | Cushion                        |                           | Cushion                          |                           |             |
| Wheels (x = driven)  | Front / Rear                   |                           | 2x/2                           |                           | 2x/2                           |                           | 2x/2                             |                           |             |
| EXTERIOR DIMENSIONS  |                                |                           |                                | 8FBC25U-COMP              |                                | 8FBCH25U                  |                                  | 8FBC28U                   |             |
| <b>A</b> Maximum Fork Height (top of forks)                                |                                | in (mm)                   | 131.5 (3340)                   |                           | 131.5 (3340)                   |                           | 131.5 (3345)                     |                           |             |
| <b>B</b> Free-Lift (top of forks)  |                                | in (mm)                   | 6.1 (155)                      |                           | 6.1 (155)                      |                           | 5.3 (135)                        |                           |             |
| <b>C</b> Fork Size (T x W x L)   |                                | in (mm)                   | 1.6 x 5 x 42 (40 x 125 x 1070) |                           | 1.6 x 5 x 42 (40 x 125 x 1070) |                           | 1.8 x 5 x 42 / (45 x 125 x 1070) |                           |             |
| <b>D</b> Tilt Range (forward / backward)                                   |                                | deg                       | 6/8                            |                           | 6/8                            |                           | 6/8                              |                           |             |
| <b>E</b> Length to Fork Face   |                                | in (mm)                   | 82.7 (2100)                    |                           | 85.4 (2170)                    |                           | 89 (2260)                        |                           |             |
| <b>F</b> Overall Width   |                                | in (mm)                   | 41.9 (1065)                    |                           | 41.9 (1065)                    |                           | 43.7 (1110)                      |                           |             |
| <b>G</b> Mast Lowered Height   |                                | in (mm)                   | 83.3 (2115)                    |                           | 83.3 (2110)                    |                           | 83.1 (2110)                      |                           |             |
| <b>H</b> Mast Extended Height (top of load backrest)                       |                                | in (mm)                   | 179.5 (4560)                   |                           | 179.5 (4560)                   |                           | 179.7 (4565)                     |                           |             |
| <b>I</b> Overhead Guard Height   |                                | in (mm)                   | 88 (2235)                      |                           | 88 (2235)                      |                           | 88 (2235)                        |                           |             |
| <b>J</b> Turning Radius (inside / outside)                                 |                                | in (mm)                   | 68.9 (1750)                    |                           | 76.4 (1940)                    |                           | 76.6 (1945)                      |                           |             |
| <b>K</b> Load Distance <sup>1</sup>  |                                | in (mm)                   | 16.7 (425)                     |                           | 16.7 (425)                     |                           | 17.7 (450)                       |                           |             |
| <b>L</b> Basic Right-Angle Stacking Aisle Width <sup>2</sup>               |                                | in (mm)                   | 85.6 (2170)                    |                           | 93.1 (2365)                    |                           | 94.3 (2395)                      |                           |             |
| PERFORMANCE DATA   |                                |                           |                                | 8FBC25U-COMP              |                                | 8FBCH25U                  |                                  | 8FBC28U                   |             |
|  |                                |                           |                                | 36V                       | 48V                            | 36V                       | 48V                              | 36V                       | 48V         |
| Speeds <sup>3</sup><br>(V mast only)                                       | Maximum Travel (FWD)           | H Mode: Full Load         | mph (km/h)                     | 10.6 (17.0)               | 12.1 (19.5)                    | 10.6 (17.0)               | 12.1 (19.5)                      | 10.6 (17.0)               | 11.9 (19.2) |
|  |                                | H Mode: No Load           | mph (km/h)                     | 11.0 (17.7)               | 11.8 (19.0)                    | 10.9 (17.5)               | 11.8 (19.0)                      | 10.9 (17.5)               | 11.5 (18.5) |
|  |                                | P Mode: Full Load         | mph (km/h)                     | 9.8 (15.8)                | 11.4 (18.4)                    | 9.8 (15.7)                | 10.9 (17.6)                      | 10.4 (16.8)               | 11.7 (18.9) |
|  |                                | P Mode: No Load           | mph (km/h)                     | 11.0 (17.7)               | 11.6 (18.7)                    | 10.3 (16.6)               | 10.9 (17.6)                      | 10.9 (17.5)               | 11.5 (18.5) |
|  |                                | S Mode: Full Load         | mph (km/h)                     | 8.2 (13.2)                | 10.6 (17.0)                    | 8.2 (13.2)                | 10.3 (16.5)                      | 8.5 (13.6)                | 10.7 (17.3) |
|  |                                | S Mode: No Load           | mph (km/h)                     | 8.8 (14.1)                | 11.2 (18.1)                    | 8.3 (13.4)                | 10.6 (17.0)                      | 8.4 (13.5)                | 11.1 (17.9) |
|  | Lifting                        | Full Load                 | fpm (mm/sec)                   | 75 (381)                  | 102 (520)                      | 75 (381)                  | 102 (520)                        | 60 (306)                  | 89 (453)    |
|  |                                | No Load                   | fpm (mm/sec)                   | 115 (584)                 | 130 (660)                      | 115 (584)                 | 130 (660)                        | 115 (584)                 | 117 (595)   |
|  | Lowering                       | Full Load                 | fpm (mm/sec)                   | 98 (500)                  |                                | 98 (500)                  |                                  | 98 (500)                  |             |
|  |                                | No Load                   | fpm (mm/sec)                   | 98 (500)                  |                                | 98 (500)                  |                                  | 98 (500)                  |             |
| Drawbar Pull   | Full Load / No Load            | 3-Min. Rating             | lb (kg)                        | 3290 (1490)               | 2010 (910)                     | 3290 (1490)               | 2550 (1160)                      | 3170 (1440)               | 2110 (960)  |
|  |                                | 3-Min. Rating             | lb (kg)                        | 3290 (1490)               | 2010 (910)                     | 3290 (1490)               | 2550 (1160)                      | 3170 (1440)               | 2110 (960)  |
|  |                                | 60-Min. Rating            | lb (kg)                        | 1580 (720)                | 1690 (760)                     | 1580 (720)                | 1690 (760)                       | 1510 (690)                | 1650 (750)  |
| Gradeability*  | Full Load / No Load            | 3-Min. Rating             | %                              | 21 / 19                   |                                | 21 / 24                   |                                  | 17 / 20                   |             |
|  |                                | 3-Min. Rating             | %                              | 21 / 19                   |                                | 21 / 24                   |                                  | 17 / 20                   |             |
|  |                                | 60-Min. Rating            | %                              | 9 / 17                    |                                | 9 / 17                    |                                  | 7 / 14                    |             |
| TRUCK WEIGHTS  |                                |                           |                                | 8FBC25U-COMP              |                                | 8FBCH25U                  |                                  | 8FBC28U                   |             |
| Total Weight   |                                | lb (kg)                   | 7390 (3350)                    |                           | 6550 (2970)                    |                           | 7500 (3400)                      |                           |             |
| Weight Distribution <sup>4</sup>   | Full Load                      | Front / Rear              | lb (kg)                        |                           | lb (kg)                        |                           | lb (kg)                          |                           |             |
|  | No Load                        | Front / Rear              | lb (kg)                        |                           | lb (kg)                        |                           | lb (kg)                          |                           |             |
|  |                                |                           |                                | 12740 (5780) / 2050 (930) |                                | 12790 (5800) / 1760 (800) |                                  | 13910 (6310) / 2070 (940) |             |
|  |                                |                           |                                | 3750 (1700) / 6040 (2740) |                                | 4050 (1835) / 5500 (2495) |                                  | 4230 (1920) / 6260 (2840) |             |
| TIRES  |                                |                           |                                | 8FBC25U-COMP              |                                | 8FBCH25U                  |                                  | 8FBC28U                   |             |
| Tires  | Number                         | Front / Rear              | 2 / 2                          |                           | 2 / 2                          |                           | 2 / 2                            |                           |             |
|  | Size                           | Front / Rear              | 21 x 7 x 15 / 16 x 5 x 10.5    |                           | 21 x 7 x 15 / 16 x 5 x 10.5    |                           | 21 x 8 x 15 / 16 x 6 x 10.5      |                           |             |
| Wheelbase  |                                | in (mm)                   | 51 (1295)                      |                           | 54.7 (1390)                    |                           | 54.7 (1390)                      |                           |             |
| Tread Width  | Front / Rear                   | in (mm)                   | 35 (890) / 36 (915)            |                           | 35 (890) / 36 (915)            |                           | 35.8 (910) / 36 (915)            |                           |             |
| Underclearance (full load)   | Minimum                        | in (mm)                   | 3.0 (75)                       |                           | 3.0 (75)                       |                           | 2.8 (70)                         |                           |             |
|  | Center of Wheelbase            | in (mm)                   | 3.9 (100)                      |                           | 3.9 (100)                      |                           | 3.9 (100)                        |                           |             |
| Brake  | Service (foot) / Parking Brake |                           | Hydraulic / Auto/Electric      |                           | Hydraulic / Auto/Electric      |                           | Hydraulic / Auto/Electric        |                           |             |
| POWER SYSTEM   |                                |                           |                                | 8FBC25U-COMP              |                                | 8FBCH25U                  |                                  | 8FBC28U                   |             |
| Battery  | Voltage / Capacity (STD)       | V / Ah                    | 36 / 935                       | 48 / 680                  | 36 / 1190                      | 48 / 850                  | 36 / 1190                        | 48 / 850                  |             |
|  | 6-Hour Rating (high)           | V / Ah                    | 36 / 1210                      | 48 / 880                  | 36 / 1540                      | 48 / 1100                 | 36 / 1540                        | 48 / 1100                 |             |
| Electric Motors  | Drive                          | kW                        | 10.8                           | 14.8                      | 10.8                           | 14.8                      | 13.2                             | 18                        |             |
|  | Load Handling                  | kW                        | 13.1                           | 21.5                      | 13.5                           | 21.5                      | 13.1                             | 21.5                      |             |
| Control Type   | Drive                          |                           | Transistor Inverter            |                           | Transistor Inverter            |                           | Transistor Inverter              |                           |             |
|  | Load Handling                  |                           | Transistor Inverter            |                           | Transistor Inverter            |                           | Transistor Inverter              |                           |             |
|  | Power Steering                 |                           | Transistor Inverter            |                           | Transistor Inverter            |                           | Transistor Inverter              |                           |             |
| Auxiliary Hydraulic Function Specifications (for attachments) <sup>5</sup> | Max Operating Pressure         | psi (kg/cm <sup>2</sup> ) | 2,580 (181)                    |                           | 2,580 (181)                    |                           | 2,580 (181)                      |                           |             |
|  | Max Flow Rate                  | gpm (lpm)                 | 11.04                          |                           | 11.04                          |                           | 11.04                            |                           |             |
| Please see your local, authorized Toyota dealer for more information.      |                                |                           |                                |                           |                                |                           |                                  |                           |             |

\* Computed values.

<sup>3</sup> Units ordered with A30H UL "EE" rating will have the same performance characteristics as the UL "E"-rated models. Values indicated reflect speed in H mode. (For S & P mode travel speeds loaded & unloaded, contact your local, authorized Toyota dealer).

<sup>4</sup> With standard battery.

<sup>5</sup> Values taken at Hydraulic Control Valve. Does not take in to consideration losses through mast plumbing (hosing, fittings, QDs, etc.).

<sup>6</sup> Units ordered with A30H UL "EE" rating will have the same performance characteristics as the UL "E" rated models.

# TRUCK SPECIFICATIONS

MODEL NUMBERS

| GENERAL DATA   |                                |                           |                             | 8FBC30U                          |                       | 8FBC32U                          |                       | 8FBC32U                          |                     |  |
|--|--------------------------------|---------------------------|-----------------------------|----------------------------------|-----------------------|----------------------------------|-----------------------|----------------------------------|---------------------|--|
| Load Capacity  | lb (kg)                        |                           |                             | 6000 (2720)                      |                       | 6500 (2950)                      |                       | 6500 (2950)                      |                     |  |
| Power Type (battery)   | Voltage                        | V                         | 36                          | 48                               | 36                    | 48                               | 36                    | 48                               |                     |  |
| Battery Compartment Length   | in                             |                           |                             | 34.2"                            |                       | 34.2"                            |                       | 36.6"                            |                     |  |
| Operator Position  |                                |                           |                             | Rider Seated                     |                       | Rider Seated                     |                       | Rider Seated                     |                     |  |
| Tire Type  | Front / Rear                   | Cushion                   |                             |                                  | Cushion               |                                  | Cushion               |                                  |                     |  |
| Wheels (x = driven)  | Front / Rear                   | 2x/2                      |                             |                                  | 2x/2                  |                                  | 2x/2                  |                                  |                     |  |
| EXTERIOR DIMENSIONS  |                                |                           |                             | 8FBC30U                          |                       | 8FBC32U                          |                       | 8FBC32U                          |                     |  |
| <b>A</b> Maximum Fork Height (top of forks)                                | in (mm)                        |                           |                             | 131.5 (3345)                     |                       | 131.5 (3345)                     |                       | 131.5 (3345)                     |                     |  |
| <b>B</b> Free-Lift (top of forks)  | in (mm)                        |                           |                             | 5.3 (135)                        |                       | 5.3 (135)                        |                       | 5.3 (135)                        |                     |  |
| <b>C</b> Fork Size (T x W x L)   | in (mm)                        |                           |                             | 1.8 x 5 x 42 / (45 x 125 x 1070) |                       | 1.8 x 5 x 42 / (45 x 125 x 1070) |                       | 1.8 x 5 x 42 / (45 x 125 x 1070) |                     |  |
| <b>D</b> Tilt Range (forward / backward)                                   | deg                            |                           |                             | 6/8                              |                       | 6/8                              |                       | 6/8                              |                     |  |
| <b>E</b> Length to Fork Face   | in (mm)                        |                           |                             | 89.6 (2275)                      |                       | 91.3 (2320)                      |                       | 93.1 (2365)                      |                     |  |
| <b>F</b> Overall Width   | in (mm)                        |                           |                             | 43.7 (1110)                      |                       | 43.7 (1110)                      |                       | 43.7 (1110)                      |                     |  |
| <b>G</b> Mast Lowered Height   | in (mm)                        |                           |                             | 83.1 (2110)                      |                       | 83.1 (2110)                      |                       | 83.1 (2110)                      |                     |  |
| <b>H</b> Mast Extended Height (top of load backrest)                       | in (mm)                        |                           |                             | 179.1 (4565)                     |                       | 179.7 (4565)                     |                       | 179.7 (4565)                     |                     |  |
| <b>I</b> Overhead Guard Height   | in (mm)                        |                           |                             | 88 (2235)                        |                       | 88 (2235)                        |                       | 88 (2235)                        |                     |  |
| <b>J</b> Turning Radius (inside / outside)                                 | in (mm)                        |                           |                             | 77.2 (1960)                      |                       | 78.7 (2000)                      |                       | 82.3 (2090)                      |                     |  |
| <b>K</b> Load Distance <sup>1</sup>  | in (mm)                        |                           |                             | 17.7 (450)                       |                       | 17.7 (450)                       |                       | 17.7 (450)                       |                     |  |
| <b>L</b> Basic Right-Angle Stacking Aisle Width <sup>2</sup>               | in (mm)                        |                           |                             | 94.9 (2410)                      |                       | 96.5 (2450)                      |                       | 100.0 (2540)                     |                     |  |
| PERFORMANCE DATA   |                                |                           |                             | 8FBC30U                          |                       | 8FBC32U                          |                       | 8FBC32U                          |                     |  |
|  |                                |                           |                             | 36V                              | 48V                   | 36V                              | 48V                   | 36V                              | 48V                 |  |
| Speeds <sup>3</sup><br>(V mast only)                                       | Maximum Travel (FWD)           | H Mode: Full Load         | mph (km/h)                  | 10.6 (17.0)                      | 11.9 (19.2)           | 10.6 (17.0)                      | 11.9 (19.2)           | 11.9 (19.2)                      | 10.6 (17.0)         |  |
|  |                                | H Mode: No Load           | mph (km/h)                  | 10.6 (17.0)                      | 11.5 (18.5)           | 10.6 (17.0)                      | 11.5 (18.5)           | 11.5 (18.5)                      | 10.9 (17.5)         |  |
|  |                                | P Mode: Full Load         | mph (km/h)                  | 10.4 (16.8)                      | 11.7 (18.9)           | 10.4 (16.8)                      | 11.7 (18.9)           | 11.7 (18.9)                      | 10.4 (16.8)         |  |
|  |                                | P Mode: No Load           | mph (km/h)                  | 10.9 (17.5)                      | 11.5 (18.5)           | 10.9 (17.5)                      | 11.5 (18.5)           | 11.5 (18.5)                      | 10.9 (17.5)         |  |
|  |                                | S Mode: Full Load         | mph (km/h)                  | 8.5 (13.6)                       | 10.7 (17.3)           | 8.5 (13.6)                       | 10.1 (16.3)           | 10.7 (17.3)                      | 8.5 (13.6)          |  |
|  | S Mode: No Load                | mph (km/h)                | 8.8 (14.1)                  | 11.1 (17.9)                      | 8.8 (14.1)            | 11.1 (17.9)                      | 11.1 (17.8)           | 8.8 (14.1)                       |                     |  |
|  | Lifting                        | Full Load                 | fpm (mm/sec)                | 60 (306)                         | 89 (453)              | 60 (306)                         | 89 (453)              | 60 (306)                         | 89 (453)            |  |
|  |                                | No Load                   | fpm (mm/sec)                | 115 (584)                        | 117 (595)             | 117 (595)                        | 117 (595)             | 117 (595)                        | 117 (595)           |  |
|  | Lowering                       | Full Load                 | fpm (mm/sec)                | 98 (500)                         |                       | 98 (500)                         |                       | 98 (500)                         |                     |  |
|  |                                | No Load                   | fpm (mm/sec)                | 98 (500)                         |                       | 98 (500)                         |                       | 98 (500)                         |                     |  |
| Drawbar Pull   | Full Load / No Load            | 3-Min. Rating             | lb (kg)                     | 3160 (1430)                      | 2350 (1070)           | 3160 (1430)                      | 2270 (1030)           | 3160 (1430)                      | 2270 (1030)         |  |
|  |                                | 3-Min. Rating             | lb (kg)                     | 3160 (1430)                      | 2350 (1070)           | 3160 (1430)                      | 2270 (1030)           | 3160 (1430)                      | 2270 (1030)         |  |
|  |                                | 60-Min. Rating            | lb (kg)                     | 1460 (660)                       | 1630 (740)            | 1460 (660)                       | 1630 (740)            | 1460 (660)                       | 1630 (740)          |  |
| Gradeability*  | Full Load / No Load            | 3-Min. Rating             | %                           | 17 / 20                          |                       | 17 / 19                          |                       | 17 / 19                          |                     |  |
|  |                                | 3-Min. Rating             | %                           | 17 / 20                          |                       | 17 / 19                          |                       | 17 / 19                          |                     |  |
|  |                                | 60-Min. Rating            | %                           | 7 / 14                           |                       | 7 / 13                           |                       | 7 / 13                           |                     |  |
| TRUCK WEIGHTS  |                                |                           |                             | 8FBC30U                          |                       | 8FBC32U                          |                       | 8FBC32U                          |                     |  |
| Total Weight   | lb (kg)                        |                           |                             | 7890 (3580)                      |                       | 8130 (3685)                      |                       | 7940 (3600)                      |                     |  |
| Weight Distribution <sup>4</sup>   | Full Load                      | Front / Rear              | lb (kg)                     | 14700 (6670) / 2180 (990)        |                       | 15420 (7180) / 2210 (1060)       |                       | 15430 (7000) / 2310 (1050)       |                     |  |
|  | No Load                        | Front / Rear              | lb (kg)                     | 4130 (1875) / 6760 (3065)        |                       | 3960 (1795) / 7170 (3250)        |                       | 1940 (4280) / 3160 (6970)        |                     |  |
| TIRES  |                                |                           |                             | 8FBC30U                          |                       | 8FBC32U                          |                       | 8FBC32U                          |                     |  |
| Tires  | Number                         | Front / Rear              | 2 / 2                       |                                  |                       | 2 / 2                            |                       | 2 / 2                            |                     |  |
|  | Size                           | Front / Rear              | 21 x 8 x 15 / 16 x 6 x 10.5 |                                  |                       | 21 x 8 x 15 / 16 x 6 x 10.5      |                       | 21 x 9 x 15 / 16 x 6 x 10.5      |                     |  |
| Wheelbase  | in (mm)                        |                           |                             | 54.7 (1390)                      |                       | 54.7 (1390)                      |                       | 58.2 (1480)                      |                     |  |
| Tread Width  | Front / Rear                   | in (mm)                   |                             |                                  | 35.8 (910) / 36 (915) |                                  | 35.8 (910) / 36 (915) |                                  | 39 (991) / 36 (915) |  |
| Underclearance (full load)   | Minimum                        | in (mm)                   |                             |                                  | 2.8 (70)              |                                  | 2.8 (70)              |                                  | 2.8 (70)            |  |
|  | Center of Wheelbase            | in (mm)                   |                             |                                  | 3.9 (100)             |                                  | 3.9 (100)             |                                  | 3.9 (100)           |  |
| Brake  | Service (foot) / Parking Brake |                           |                             | Hydraulic / Auto/Electric        |                       | Hydraulic / Auto/Electric        |                       | Hydraulic / Auto/Electric        |                     |  |
| POWER SYSTEM   |                                |                           |                             | 8FBC30U                          |                       | 8FBC32U                          |                       | 8FBC32U                          |                     |  |
|  |                                |                           |                             | 36V                              | 48V                   | 36V                              | 48V                   | 36V                              | 48V                 |  |
| Battery  | Voltage / Capacity (STD)       | V / Ah                    | 36 / 1190                   | 48 / 850                         | 36 / 1190             | 48 / 850                         | 36 / 1275             | 48 / 935                         |                     |  |
|  | 6-Hour Rating (high)           | V / Ah                    | 36 / 1540                   | 48 / 1100                        | 36 / 1540             | 48 / 1100                        | 36 / 1650             | 48 / 1210                        |                     |  |
| Electric Motors  | Drive                          | kW                        | 13.2                        | 18                               | 13.2                  | 18                               | 13.2                  | 18                               |                     |  |
|  | Load Handling                  | kW                        | 13.1                        | 21.5                             | 13.1                  | 21.5                             | 13.1                  | 21.5                             |                     |  |
| Control Type   | Drive                          | Transistor Invertor       |                             |                                  | Transistor Invertor   |                                  | Transistor Invertor   |                                  |                     |  |
|  | Load Handling                  | Transistor Invertor       |                             |                                  | Transistor Invertor   |                                  | Transistor Invertor   |                                  |                     |  |
|  | Power Steering                 | Transistor Invertor       |                             |                                  | Transistor Invertor   |                                  | Transistor Invertor   |                                  |                     |  |
| Auxiliary Hydraulic Function Specifications (for attachments) <sup>5</sup> | Max Operating Pressure         | psi (kg/cm <sup>2</sup> ) | 2,580 (181)                 |                                  | 2,580 (181)           |                                  | 2,580 (181)           |                                  |                     |  |
|  | Max Flow Rate                  | gpm (lpm)                 | 11.04                       |                                  | 11.04                 |                                  | 11.04                 |                                  |                     |  |
| Please see your local, authorized Toyota dealer for more information.      |                                |                           |                             |                                  |                       |                                  |                       |                                  |                     |  |

\* Computed values.

<sup>3</sup> Units ordered with A30H UL "EE" rating will have the same performance characteristics as the UL "E"-rated models. Values indicated reflect speed in H mode. (For S & P mode travel speeds loaded & unloaded, contact your local, authorized Toyota dealer).

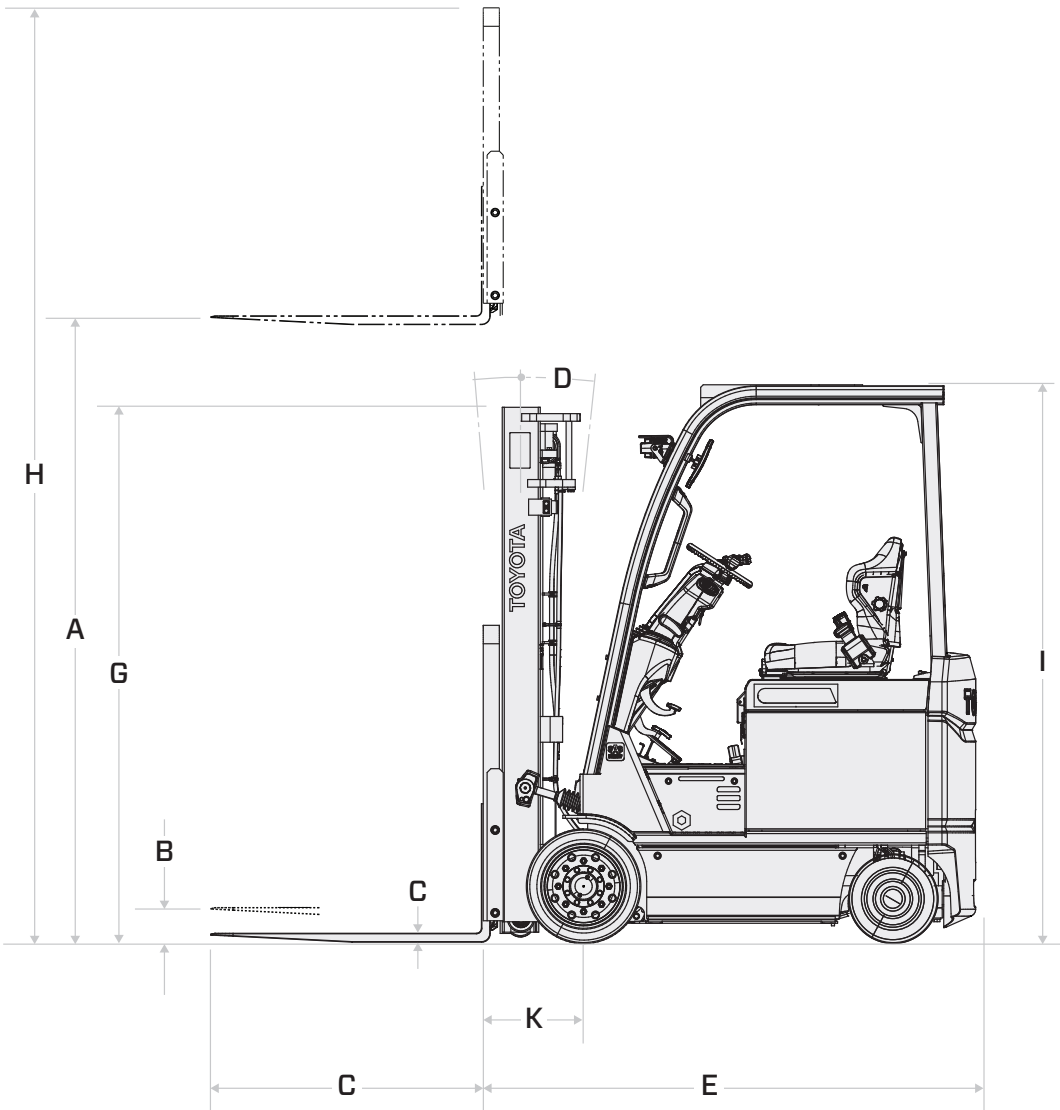
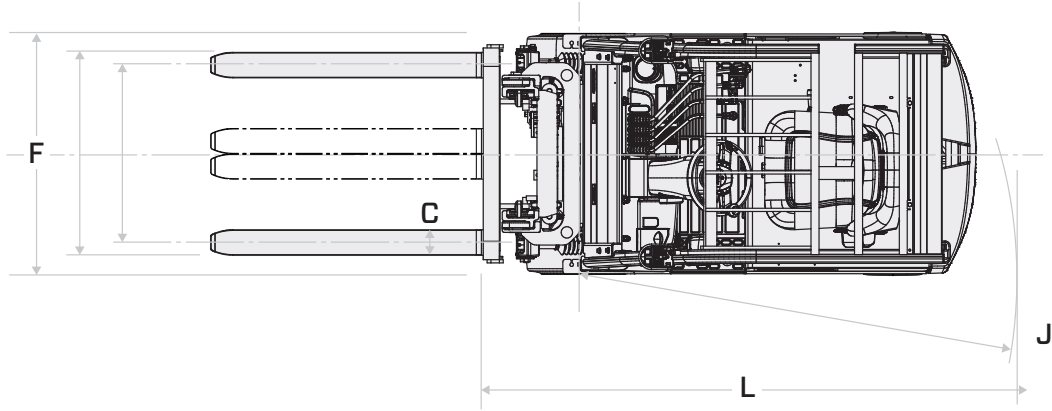
<sup>4</sup> With standard battery.

<sup>5</sup> Values taken at Hydraulic Control Valve. Does not take in to consideration losses through mast plumbing (hosing, fittings, QDs, etc.).

<sup>6</sup> Units ordered with A30H UL "EE" rating will have the same performance characteristics as the UL "E" rated models.

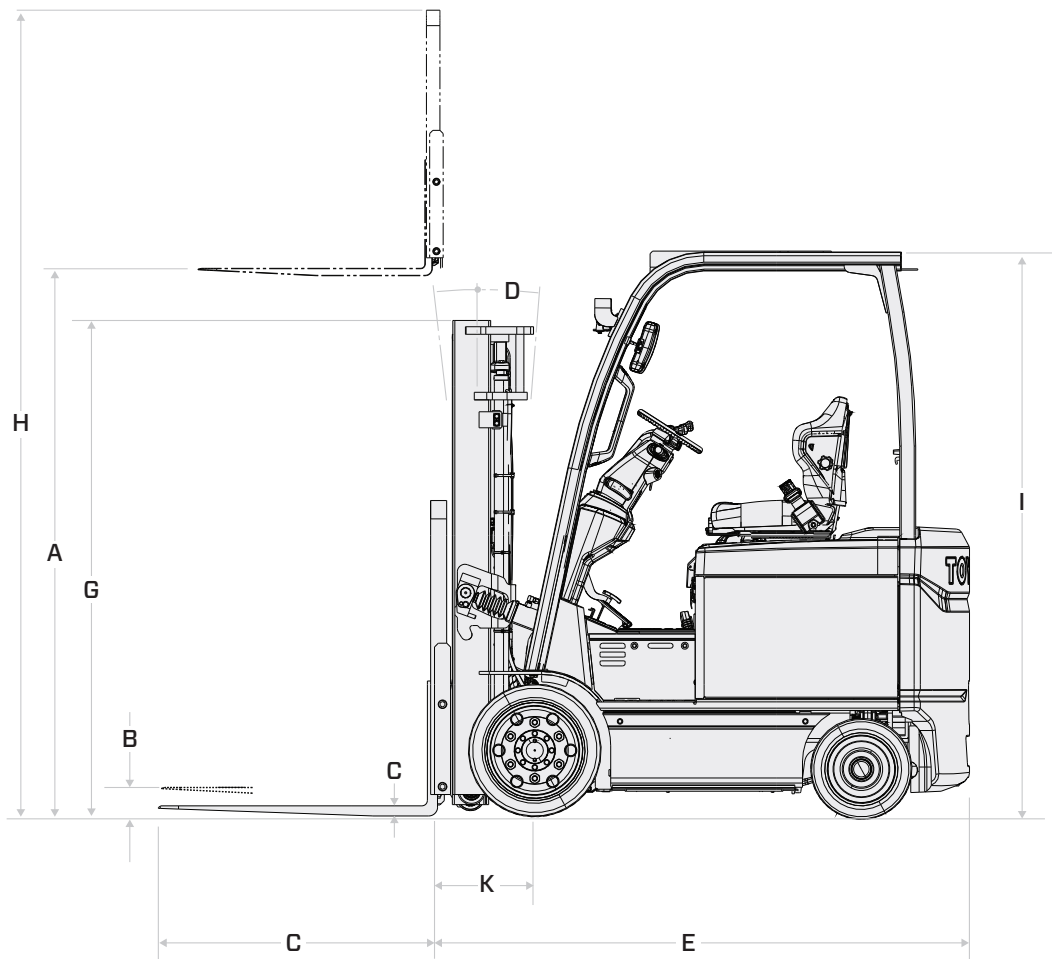
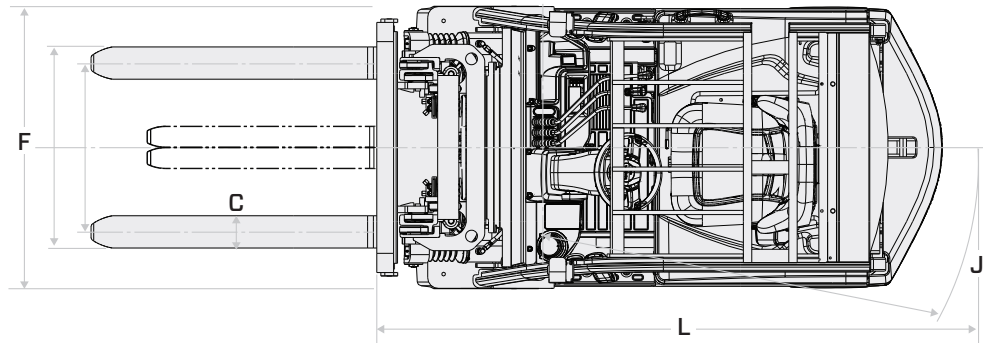
<sup>1</sup> At centerline of front axle to front face of forks.  
<sup>2</sup> Add load length & clearance.

**EXTERIOR DIMENSIONS**  
**8FBC15-18U**



## EXTERIOR DIMENSIONS

8FBC20-32U | 8FBC20-25U-COMP | 8FBCH25-32U



# MAST SPECIFICATIONS

| MAST TYPE                                 | MAXIMUM FORK HEIGHT (TOP OF FORKS) | OVERALL HEIGHT |                       |  | FREE-LIFT             |  | SINGLE TIRE |     |  |             |
|---|------------------------------------|----------------|-----------------------|--|-----------------------|--|-------------|-----|--|-------------|
|   |                                    | LOWERED        | EXTENDED              |  | WITHOUT LOAD BACKREST | WITH STANDARD LOAD BACKREST <sup>1</sup> | TILT RANGE  |     | LOAD CAPACITY AT 24 IN. (600 MM) LOAD CENTER |             |
|   |                                    |                | WITHOUT LOAD BACKREST | WITH STANDARD LOAD BACKREST <sup>1</sup> |                       |  | FWD         | BWD | NARROW TREAD                                 | WIDE TREAD  |
|   |                                    | in (mm)        | in (mm)               | in (mm)                                  | in (mm)               | in (mm)                                  | in (mm)     | deg | deg  | lb (kg)     |
| <b>8FBC15U</b>                            |                                    |                |                       |  |                       |  |             |     |  |             |
| Wide Visible (V)                          | 131 (3335)                         | 83.1 (2110)    | 152.4 (3870)          | 179.3 (4555)                             | 5.7 (145)             | 5.7 (145)                                | 6           | 8   | 3000 (1340)                                  | 3000 (1340) |
| Full Free-Lift 2-Stage (FV)               | 131 (3335)                         | 83.1 (2110)    | 150.6 (3825)          | 179.3 (4555)                             | 35.1 (1585)           | 35.1 (890)                               | 6           | 8   | 3000 (1340)                                  | 3000 (1340) |
| Full Free-Lift 3-Stage (FSV)              | 170.5 (4335)                       | 77.2 (1960)    | 191.5 (4865)          | 218.7 (5555)                             | 29.2 (1395)           | 29.2 (740)                               | 6           | 5   | 2900 (1300)                                  | 2900 (1300) |
|   | 189 (4800)                         | 83.1 (2110)    | 209.4 (5320)          | 237 (6020)                               | 35.1 (1545)           | 35.1 (890)                               | 6           | 5   | 2800 (1250)                                  | 2800 (1250) |
|   | 198 (5035)                         | 87 (22100)     | 219.1 (5565)          | 246.3 (6255)                             | 39 (1645)             | 39 (990)                                 | 6           | 5   | 2750 (1230)                                  | 2750 (1230) |
|   | 217.5 (5535)                       | 93.3 (2370)    | 238.8 (6065)          | 265.9 (6755)                             | 45.3 (1805)           | 45.3 (1150)                              | 6           | 5   | 2200 (990)                                   | 2650 (1190) |
| <b>8FBC18U</b>                            |                                    |                |                       |  |                       |  |             |     |  |             |
| Wide Visible (V)                          | 131 (3335)                         | 83.1 (2110)    | 152.4 (3870)          | 179.3 (4555)                             | 5.7 (145)             | 5.7 (145)                                | 6           | 8   | 3500 (1570)                                  | -           |
| Full Free-Lift 2-Stage (FV)               | 131 (3335)                         | 83.1 (2110)    | 150.6 (3825)          | 179.3 (4555)                             | 35.1 (1585)           | 35.1 (890)                               | 6           | 8   | 3500 (1570)                                  | -           |
| Full Free-Lift 3-Stage (FSV)              | 170.5 (4335)                       | 77.2 (1960)    | 191.5 (4865)          | 218.7 (5555)                             | 29.2 (1395)           | 29.2 (740)                               | 6           | 5   | 3400 (1570)                                  | -           |
|   | 189 (4800)                         | 83.1 (2110)    | 209.4 (5320)          | 237 (6020)                               | 35.1 (1545)           | 35.1 (890)                               | 6           | 5   | 3050 (1410)                                  | -           |
|   | 198 (5035)                         | 87 (22100)     | 219.1 (5565)          | 246.3 (6255)                             | 39 (1645)             | 39 (990)                                 | 6           | 5   | 3090 (1350)                                  | -           |
|   | 217.5 (5535)                       | 93.3 (2370)    | 238.8 (6065)          | 265.9 (6755)                             | 45.3 (1805)           | 45.3 (1150)                              | 6           | 5   | 2800 (1150)                                  | -           |
| <b>8FBC20U</b>                            |                                    |                |                       |  |                       |  |             |     |  |             |
| Wide Visible (V)                          | 80 (2040)                          | 57.5 (1465)    | 105.9 (3690)          | 128.3 (3260)                             | 6.1 (155)             | 6.1 (155)                                | 6           | 5   | 4000 (1810)                                  | 4000 (1810) |
|   | 119.5 (3040)                       | 77.4 (1965)    | 145.2 (3690)          | 167.7 (4260)                             | 6.1 (155)             | 6.1 (155)                                | 6           | 8   | 4000 (1810)                                  | 4000 (1810) |
| Full Free-Lift 2-Stage (FV)               | 131.5 (3340)                       | 83.3 (2115)    | 157.1 (3990)          | 179.5 (4560)                             | 6.1 (155)             | 6.1 (155)                                | 6           | 8   | 4000 (1810)                                  | 4000 (1810) |
|   | 139 (3540)                         | 87.2 (2215)    | 164.9 (4190)          | 187.4 (4760)                             | 6.1 (155)             | 6.1 (155)                                | 6           | 8   | 4000 (1810)                                  | 4000 (1810) |
|   | 147 (3740)                         | 93.5 (2375)    | 173.8 (4390)          | 195.3 (4960)                             | 6.1 (155)             | 6.1 (155)                                | 6           | 8   | 4000 (1810)                                  | 4000 (1810) |
|   | 159 (4040)                         | 101 (2565)     | 184.6 (4690)          | 207.1 (5260)                             | 6.1 (155)             | 6.1 (155)                                | 6           | 8   | 4000 (1810)                                  | 4000 (1810) |
| Full Free-Lift 3-Stage (FSV)              | 119.5 (3040)                       | 77.4 (1965)    | 143.5 (3645)          | 167.7 (4260)                             | 53.6 (1360)           | 29.3 (745)                               | 6           | 8   | 4000 (1810)                                  | 4000 (1810) |
|   | 131.5 (3340)                       | 93.3 (2115)    | 155.3 (3945)          | 179.5 (4560)                             | 59.5 (1510)           | 35.2 (895)                               | 6           | 8   | 4000 (1810)                                  | 4000 (1810) |
|   | 139 (3540)                         | 87.2 (2215)    | 163.1 (4145)          | 187.4 (4760)                             | 63.4 (1610)           | 39.2 (995)                               | 6           | 8   | 4000 (1810)                                  | 4000 (1810) |
|   | 159 (4040)                         | 73.4 (1865)    | 184.2 (4680)          | 207.1 (5260)                             | 48.1 (1220)           | 25.4 (645)                               | 6           | 5   | 4000 (1810)                                  | 4000 (1810) |
| Open-View Full Free-Lift 3-Stage (FSW)    | 170.5 (4340)                       | 77.4 (1965)    | 196 (4980)            | 218.9 (5560)                             | 52 (1320)             | 29.4 (945)                               | 6           | 5   | 4000 (1810)                                  | 4000 (1810) |
|   | 189 (4800)                         | 83.3 (2115)    | 214.3 (5445)          | 237.2 (6025)                             | 57.9 (1470)           | 35.3 (895)                               | 6           | 5   | 4000 (1810)                                  | 4000 (1810) |
|   | 198 (5040)                         | 87.2 (2215)    | 223.6 (5680)          | 246.5 (6260)                             | 61.9 (1570)           | 39.2 (995)                               | 6           | 5   | 3950 (1790)                                  | 3950 (1790) |
|   | 218 (5540)                         | 93.5 (2375)    | 243.3 (6180)          | 266.1 (6760)                             | 68.2 (1730)           | 45.5 (1155)                              | 6           | 5   | 3800 (1720)                                  | 3800 (1720) |
| Full Free-Lift 4-Stage (QFV) <sup>2</sup> | 237.5 (6040)                       | 101 (2565)     | 263 (6680)            | 285.8 (7260)                             | 75.6 (1920)           | 53 (1345)                                | 6           | 5   | —  | 3650 (1650) |
|   | 188 (4800)                         | 83 (2110)      | 208 (5285)            | 236 (5995)                               | 62.1 (1575)           | 35 (890)                                 | 6           | 3   | —  | 3700 (1680) |
|   | 191 (4900)                         | 84 (2135)      | 211 (5360)            | 239 (6070)                               | 68 (1725)             | 40.9 (1040)                              | 6           | 3   | —  | 3300 (1490) |
|   | 203 (5200)                         | 88 (2235)      | 223 (5665)            | 251 (6375)                               | 74.3 (1885)           | 47.2 (1200)                              | 6           | 3   | —  | 3100 (1400) |
| Full Free-Lift 4-Stage (QFV) <sup>2</sup> | 224 (5700)                         | 95 (2415)      | 244 (6200)            | 272 (6910)                               | 64 (1625)             | 35 (890)                                 | 6           | 5   | 3900 (1780)                                  | 3900 (1780) |
|   | 227 (5800)                         | 99 (2515)      | 247 (6275)            | 275 (6985)                               | 65 (1650)             | 36 (915)                                 | 6           | 5   | 3850 (1760)                                  | 3850 (1760) |
|   | 241.5 (6135)                       | 83.1 (2110)    | 262.6 (6670)          | 289.6 (7355)                             | 69 (1755)             | 40 (1015)                                | 6           | 5   | 3750 (1710)                                  | 3750 (1710) |
|   | 259.5 (6595)                       | 89 (2260)      | 280.7 (7130)          | 307.7 (7815)                             | 76 (1930)             | 47 (1195)                                | 6           | 5   | 3600 (1640)                                  | 3600 (1640) |
|   | 278 (7055)                         | 95.3 (2420)    | 298.8 (7590)          | 325.8 (8275)                             | 80 (2030)             | 51 (1295)                                | 6           | 5   | —  | 3550 (1620) |

<sup>1</sup> Height of standard load backrest is 48" (1220 mm).  
<sup>2</sup> Includes Wide Tread as Standard Equipment.

# MAST SPECIFICATIONS

| MAST TYPE                                 | MAXIMUM FORK HEIGHT (TOP OF FORKS) | OVERALL HEIGHT |                       |  |                       | FREE-LIFT                                |     | TILT RANGE |                | LOAD CAPACITY AT 24 IN. (600 MM) LOAD CENTER |     |
|---|------------------------------------|----------------|-----------------------|--|-----------------------|--|-----|------------|----------------|--|-----|
|   |                                    | LOWERED        | EXTENDED              |  | WITHOUT LOAD BACKREST | WITH STANDARD LOAD BACKREST <sup>1</sup> | FWD | BWD        | STANDARD TREAD | WIDE TREAD                                   |     |
|   |                                    |                | WITHOUT LOAD BACKREST | WITH STANDARD LOAD BACKREST <sup>1</sup> |                       |  |     |            |                |  | deg |
| 8FBC20U-COMP                              |                                    |                |                       |  |                       |  |     |            |                |  |     |
| Wide Visible (V)                          | 80 (2040)                          | 57.5 (1465)    | 105.9 (3690)          | 128.3 (3260)                             | 6.1 (155)             | 6.1 (155)                                | 6   | 5          | 4000 (1810)    | 4000 (1810)                                  |     |
|   | 119.5 (3040)                       | 77.4 (1965)    | 145.2 (3690)          | 167.7 (4260)                             | 6.1 (155)             | 6.1 (155)                                | 6   | 8          | 4000 (1810)    | 4000 (1810)                                  |     |
|   | 131.5 (3340)                       | 83.3 (2115)    | 157.1 (3990)          | 179.5 (4560)                             | 6.1 (155)             | 6.1 (155)                                | 6   | 8          | 4000 (1810)    | 4000 (1810)                                  |     |
|   | 139 (3540)                         | 87.2 (2215)    | 164.9 (4190)          | 187.4 (4760)                             | 6.1 (155)             | 6.1 (155)                                | 6   | 8          | 4000 (1810)    | 4000 (1810)                                  |     |
|   | 147 (3740)                         | 93.5 (2375)    | 173.8 (4390)          | 195.3 (4960)                             | 6.1 (155)             | 6.1 (155)                                | 6   | 8          | 4000 (1810)    | 4000 (1810)                                  |     |
|   | 159 (4040)                         | 101 (2565)     | 184.6 (4690)          | 207.1 (5260)                             | 6.1 (155)             | 6.1 (155)                                | 6   | 8          | 4000 (1810)    | 4000 (1810)                                  |     |
| Full Free-Lift 2-Stage (FV)               | 119.5 (3040)                       | 77.4 (1965)    | 143.5 (3645)          | 167.7 (4260)                             | 53.6 (1360)           | 29.3 (745)                               | 6   | 8          | 4000 (1810)    | 4000 (1810)                                  |     |
|   | 131.5 (3340)                       | 93.3 (2115)    | 155.3 (3945)          | 179.5 (4560)                             | 59.5 (1510)           | 35.2 (895)                               | 6   | 8          | 4000 (1810)    | 4000 (1810)                                  |     |
|   | 139 (3540)                         | 87.2 (2215)    | 163.1 (4145)          | 187.4 (4760)                             | 63.4 (1610)           | 39.2 (995)                               | 6   | 8          | 4000 (1810)    | 4000 (1810)                                  |     |
| Full Free-Lift 3-Stage (FSV)              | 159 (4040)                         | 73.4 (1865)    | 184.2 (4680)          | 207.1 (5260)                             | 48.1 (1220)           | 25.4 (645)                               | 6   | 5          | 4000 (1810)    | 4000 (1810)                                  |     |
|   | 170.5 (4340)                       | 77.4 (1965)    | 196 (4980)            | 218.9 (5560)                             | 52 (1320)             | 29.4 (945)                               | 6   | 5          | 4000 (1810)    | 4000 (1810)                                  |     |
|   | 189 (4800)                         | 83.3 (2115)    | 214.3 (5445)          | 237.2 (6025)                             | 57.9 (1470)           | 35.3 (895)                               | 6   | 5          | 4000 (1810)    | 4000 (1810)                                  |     |
|   | 198 (5040)                         | 87.2 (2215)    | 223.6 (5680)          | 246.5 (6260)                             | 61.9 (1570)           | 39.2 (995)                               | 6   | 5          | 3900 (1760)    | 3900 (1760)                                  |     |
|   | 218 (5540)                         | 93.5 (2375)    | 243.3 (6180)          | 266.1 (6760)                             | 68.2 (1730)           | 45.5 (1155)                              | 6   | 5          | 3750 (1700)    | 3750 (1700)                                  |     |
| Open-View Full Free-Lift 3-Stage (FSW)    | 237.5 (6040)                       | 101 (2565)     | 263 (6680)            | 285.8 (7260)                             | 75.6 (1920)           | 53 (1345)                                | 6   | 5          | —              | 3600 (1630)                                  |     |
|   | 188 (4800)                         | 83 (2110)      | 208 (5285)            | 236 (5995)                               | 64 (1625)             | 35 (890)                                 | 6   | 5          | 3900 (1780)    | 3900 (1780)                                  |     |
|   | 191 (4900)                         | 84 (2135)      | 211 (5360)            | 239 (6070)                               | 65 (1650)             | 36 (915)                                 | 6   | 5          | 3850 (1760)    | 3850 (1760)                                  |     |
|   | 203 (5200)                         | 88 (2235)      | 223 (5665)            | 251 (6375)                               | 69 (1755)             | 40 (1015)                                | 6   | 5          | 3750 (1710)    | 3750 (1710)                                  |     |
|   | 224 (5700)                         | 95 (2415)      | 244 (6200)            | 272 (6910)                               | 76 (1930)             | 47 (1195)                                | 6   | 5          | 3600 (1640)    | 3600 (1640)                                  |     |
| Full Free-Lift 4-Stage (QFV) <sup>2</sup> | 227 (5800)                         | 99 (2515)      | 247 (6275)            | 275 (6985)                               | 80 (2030)             | 51 (1295)                                | 6   | 5          | —              | 3550 (1620)                                  |     |
|   | 241.5 (6135)                       | 83.1 (2110)    | 262.6 (6670)          | 289.6 (7355)                             | 62.1 (1575)           | 35 (890)                                 | 6   | 3          | —              | 3550 (1610)                                  |     |
|   | 259.5 (6595)                       | 89 (2260)      | 280.7 (7130)          | 307.7 (7815)                             | 68 (1725)             | 40.9 (1040)                              | 6   | 3          | —              | 3200 (1440)                                  |     |
|   | 278 (7055)                         | 95.3 (2420)    | 298.8 (7590)          | 325.8 (8275)                             | 74.3 (1885)           | 47.2 (1200)                              | 6   | 3          | —              | 3050 (1380)                                  |     |

| MAST TYPE                                 | MAXIMUM FORK HEIGHT (TOP OF FORKS) | OVERALL HEIGHT |                       |  |                       | FREE-LIFT                                |     | TILT RANGE |                | LOAD CAPACITY AT 24 IN. (600 MM) LOAD CENTER |     |
|---|------------------------------------|----------------|-----------------------|--|-----------------------|--|-----|------------|----------------|--|-----|
|   |                                    | LOWERED        | EXTENDED              |  | WITHOUT LOAD BACKREST | WITH STANDARD LOAD BACKREST <sup>1</sup> | FWD | BWD        | STANDARD TREAD | WIDE TREAD                                   |     |
|   |                                    |                | WITHOUT LOAD BACKREST | WITH STANDARD LOAD BACKREST <sup>1</sup> |                       |  |     |            |                |  | deg |
| 8FBC25U                                   |                                    |                |                       |  |                       |  |     |            |                |  |     |
| Wide Visible (V)                          | 80 (2040)                          | 57.5 (1465)    | 105.9 (3690)          | 128.3 (3260)                             | 6.1 (155)             | 6.1 (155)                                | 6   | 5          | 5000 (2270)    | 5000 (2270)                                  |     |
|   | 119.5 (3040)                       | 77.4 (1965)    | 145.2 (3690)          | 167.7 (4260)                             | 6.1 (155)             | 6.1 (155)                                | 6   | 8          | 5000 (2270)    | 5000 (2270)                                  |     |
|   | 131.5 (3340)                       | 83.3 (2115)    | 157.1 (3990)          | 179.5 (4560)                             | 6.1 (155)             | 6.1 (155)                                | 6   | 8          | 5000 (2270)    | 5000 (2270)                                  |     |
|   | 139 (3540)                         | 87.2 (2215)    | 164.9 (4190)          | 187.4 (4760)                             | 6.1 (155)             | 6.1 (155)                                | 6   | 8          | 5000 (2270)    | 5000 (2270)                                  |     |
|   | 147 (3740)                         | 93.5 (2375)    | 173.8 (4390)          | 195.3 (4960)                             | 6.1 (155)             | 6.1 (155)                                | 6   | 8          | 5000 (2270)    | 5000 (2270)                                  |     |
|   | 159 (4040)                         | 101 (2565)     | 184.6 (4690)          | 207.1 (5260)                             | 6.1 (155)             | 6.1 (155)                                | 6   | 8          | 5000 (2270)    | 5000 (2270)                                  |     |
| Full Free-Lift 2-Stage (FV)               | 119.5 (3040)                       | 77.4 (1965)    | 143.5 (3645)          | 167.7 (4260)                             | 53.6 (1360)           | 29.3 (745)                               | 6   | 8          | 5000 (2270)    | 5000 (2270)                                  |     |
|   | 131.5 (3340)                       | 93.3 (2115)    | 155.3 (3945)          | 179.5 (4560)                             | 59.5 (1510)           | 35.2 (895)                               | 6   | 8          | 5000 (2270)    | 5000 (2270)                                  |     |
|   | 139 (3540)                         | 87.2 (2215)    | 163.1 (4145)          | 187.4 (4760)                             | 63.4 (1610)           | 39.2 (995)                               | 6   | 8          | 5000 (2270)    | 5000 (2270)                                  |     |
| Full Free-Lift 3-Stage (FSV)              | 159 (4040)                         | 73.4 (1865)    | 184.2 (4680)          | 207.1 (5260)                             | 48.1 (1220)           | 25.4 (645)                               | 6   | 5          | 5000 (2270)    | 5000 (2270)                                  |     |
|   | 170.5 (4340)                       | 77.4 (1965)    | 196 (4980)            | 218.9 (5560)                             | 52 (1320)             | 29.4 (945)                               | 6   | 5          | 5000 (2270)    | 5000 (2270)                                  |     |
|   | 189 (4800)                         | 83.3 (2115)    | 214.3 (5445)          | 237.2 (6025)                             | 57.9 (1470)           | 35.3 (895)                               | 6   | 5          | 4900 (2220)    | 4900 (2220)                                  |     |
|   | 198 (5040)                         | 87.2 (2215)    | 223.6 (5680)          | 246.5 (6260)                             | 61.9 (1570)           | 39.2 (995)                               | 6   | 5          | 4800 (2170)    | 4800 (2150)                                  |     |
|   | 218 (5540)                         | 93.5 (2375)    | 243.3 (6180)          | 266.1 (6760)                             | 68.2 (1730)           | 45.5 (1155)                              | 6   | 5          | 4600 (2090)    | 4600 (2090)                                  |     |
| Open-View Full Free-Lift 3-Stage (FSW)    | 237.5 (6040)                       | 101 (2565)     | 263 (6680)            | 285.8 (7260)                             | 75.6 (1920)           | 53 (1345)                                | 6   | 5          | —              | 4000 (1810)                                  |     |
|   | 188 (4800)                         | 83 (2110)      | 208 (5285)            | 236 (5995)                               | 64 (1625)             | 35 (890)                                 | 6   | 5          | 4850 (2220)    | 4850 (2220)                                  |     |
|   | 191 (4900)                         | 84 (2135)      | 211 (5360)            | 239 (6070)                               | 65 (1650)             | 36 (915)                                 | 6   | 5          | 4760 (2170)    | 4760 (2170)                                  |     |
|   | 203 (5200)                         | 88 (2235)      | 223 (5665)            | 251 (6375)                               | 69 (1755)             | 40 (1015)                                | 6   | 5          | 4500 (2060)    | 4500 (2060)                                  |     |
|   | 224 (5700)                         | 95 (2415)      | 244 (6200)            | 272 (6910)                               | 76 (1930)             | 47 (1195)                                | 6   | 5          | —              | 4000 (1830)                                  |     |
| Full Free-Lift 4-Stage (QFV) <sup>2</sup> | 227 (5800)                         | 99 (2515)      | 247 (6275)            | 275 (6985)                               | 80 (2030)             | 51 (1295)                                | 6   | 5          | —              | 3900 (1780)                                  |     |
|   | 241.5 (6135)                       | 83.1 (2110)    | 262.6 (6670)          | 289.6 (7355)                             | 62.1 (1575)           | 35 (890)                                 | 6   | 3          | —              | 4350 (1970)                                  |     |
|   | 259.5 (6595)                       | 89 (2260)      | 280.7 (7130)          | 307.7 (7815)                             | 68 (1725)             | 40.9 (1040)                              | 6   | 3          | —              | 3900 (1760)                                  |     |
|   | 278 (7055)                         | 95.3 (2420)    | 298.8 (7590)          | 325.8 (8275)                             | 74.3 (1885)           | 47.2 (1200)                              | 6   | 3          | —              | 3700 (1670)                                  |     |

<sup>1</sup> Height of standard load backrest is 48" (1220 mm).  
<sup>2</sup> QFV masts are equipped with 3 degree back tilt as standard.

| MAST TYPE                                 | MAXIMUM FORK HEIGHT (TOP OF FORKS) | OVERALL HEIGHT |                       |  |                       | FREE-LIFT                                |         | TILT RANGE |                | LOAD CAPACITY AT 24 IN. (600 MM) LOAD CENTER |         |
|---|------------------------------------|----------------|-----------------------|--|-----------------------|--|---------|------------|----------------|--|---------|
|   |                                    | LOWERED        | EXTENDED              |  | WITHOUT LOAD BACKREST | WITH STANDARD LOAD BACKREST <sup>1</sup> | FWD     | BWD        | STANDARD TREAD | WIDE TREAD                                   |         |
|   |                                    |                | WITHOUT LOAD BACKREST | WITH STANDARD LOAD BACKREST <sup>1</sup> |                       |  |         |            |                |  | deg     |
|   |                                    | in (mm)        | in (mm)               | in (mm)                                  | in (mm)               | in (mm)                                  | in (mm) | deg        | deg            | lb (kg)                                      | lb (kg) |
| <b>8FBC25U-COMP</b>                       |                                    |                |                       |  |                       |  |         |            |                |  |         |
| Wide Visible (V)                          | 80 (2040)                          | 57.5 (1465)    | 105.9 (3690)          | 128.3 (3260)                             | 6.1 (155)             | 6.1 (155)                                | 6       | 5          | 5000 (2270)    | 5000 (2270)                                  |         |
|   | 119.5 (3040)                       | 77.4 (1965)    | 145.2 (3690)          | 167.7 (4260)                             | 6.1 (155)             | 6.1 (155)                                | 6       | 8          | 5000 (2270)    | 5000 (2270)                                  |         |
|   | 131.5 (3340)                       | 83.3 (2115)    | 157.1 (3990)          | 179.5 (4560)                             | 6.1 (155)             | 6.1 (155)                                | 6       | 8          | 5000 (2270)    | 5000 (2270)                                  |         |
|   | 139 (3540)                         | 87.2 (2215)    | 164.9 (4190)          | 187.4 (4760)                             | 6.1 (155)             | 6.1 (155)                                | 6       | 8          | 5000 (2270)    | 5000 (2270)                                  |         |
|   | 147 (3740)                         | 93.5 (2375)    | 173.8 (4390)          | 195.3 (4960)                             | 6.1 (155)             | 6.1 (155)                                | 6       | 8          | 5000 (2270)    | 5000 (2270)                                  |         |
|   | 159 (4040)                         | 101 (2565)     | 184.6 (4690)          | 207.1 (5260)                             | 6.1 (155)             | 6.1 (155)                                | 6       | 8          | 5000 (2270)    | 5000 (2270)                                  |         |
| Full Free-Lift 2-Stage (FV)               | 119.5 (3040)                       | 77.4 (1965)    | 143.5 (3645)          | 167.7 (4260)                             | 53.6 (1360)           | 29.3 (745)                               | 6       | 8          | 5000 (2270)    | 5000 (2270)                                  |         |
|   | 131.5 (3340)                       | 93.3 (2115)    | 155.3 (3945)          | 179.5 (4560)                             | 59.5 (1510)           | 35.2 (895)                               | 6       | 8          | 5000 (2270)    | 5000 (2270)                                  |         |
|   | 139 (3540)                         | 87.2 (2215)    | 163.1 (4145)          | 187.4 (4760)                             | 63.4 (1610)           | 39.2 (995)                               | 6       | 8          | 5000 (2270)    | 5000 (2270)                                  |         |
| Full Free-Lift 3-Stage (FSV)              | 159 (4040)                         | 73.4 (1865)    | 184.2 (4680)          | 207.1 (5260)                             | 48.1 (1220)           | 25.4 (645)                               | 6       | 5          | 5000 (2270)    | 5000 (2270)                                  |         |
|   | 170.5 (4340)                       | 77.4 (1965)    | 196 (4980)            | 218.9 (5560)                             | 52 (1320)             | 29.4 (945)                               | 6       | 5          | 5000 (2270)    | 5000 (2270)                                  |         |
|   | 189 (4800)                         | 83.3 (2115)    | 214.3 (5445)          | 237.2 (6025)                             | 57.9 (1470)           | 35.3 (895)                               | 6       | 5          | 4850 (2200)    | 4850 (2200)                                  |         |
|   | 198 (5040)                         | 87.2 (2215)    | 223.6 (5680)          | 246.5 (6260)                             | 61.9 (1570)           | 39.2 (995)                               | 6       | 5          | 4760 (2150)    | 4760 (2150)                                  |         |
|   | 218 (5540)                         | 93.5 (2375)    | 243.3 (6180)          | 266.1 (6760)                             | 68.2 (1730)           | 45.5 (1155)                              | 6       | 5          | 4550 (2060)    | 4550 (2060)                                  |         |
| Open-View Full Free-Lift 3-Stage (FSW)    | 237.5 (6040)                       | 101 (2565)     | 263 (6680)            | 285.8 (7260)                             | 75.6 (1920)           | 53 (1345)                                | 6       | 5          | —              | 4400 (2000)                                  |         |
|   | 188 (4800)                         | 83 (2110)      | 208 (5285)            | 236 (5995)                               | 64 (1625)             | 35 (890)                                 | 6       | 5          | 4850 (2220)    | 4850 (2220)                                  |         |
|   | 191 (4900)                         | 84 (2135)      | 211 (5360)            | 239 (6070)                               | 65 (1650)             | 36 (915)                                 | 6       | 5          | 4760 (2170)    | 4760 (2170)                                  |         |
|   | 203 (5200)                         | 88 (2235)      | 223 (5665)            | 251 (6375)                               | 69 (1755)             | 40 (1015)                                | 6       | 5          | 4500 (2060)    | 4500 (2060)                                  |         |
|   | 224 (5700)                         | 95 (2415)      | 244 (6200)            | 272 (6910)                               | 76 (1930)             | 47 (1195)                                | 6       | 5          | —              | 4000 (1830)                                  |         |
| Full Free-Lift 4-Stage (QFV) <sup>2</sup> | 227 (5800)                         | 99 (2515)      | 247 (6275)            | 275 (6985)                               | 80 (2030)             | 51 (1295)                                | 6       | 5          | —              | 3900 (1780)                                  |         |
|   | 241.5 (6135)                       | 83.1 (2110)    | 262.6 (6670)          | 289.6 (7355)                             | 62.1 (1575)           | 35 (890)                                 | 6       | 3          | —              | 4200 (1900)                                  |         |
| Full Free-Lift 4-Stage (QFV) <sup>2</sup> | 259.5 (6595)                       | 89 (2260)      | 280.7 (7130)          | 307.7 (7815)                             | 68 (1725)             | 40.9 (1040)                              | 6       | 3          | —              | 2950 (1790)                                  |         |
|   | 278 (7055)                         | 95.3 (2420)    | 298.8 (7590)          | 325.8 (8275)                             | 74.3 (1885)           | 47.2 (1200)                              | 6       | 3          | —              | 3800 (1720)                                  |         |

| MAST TYPE                              | MAXIMUM FORK HEIGHT (TOP OF FORKS) | OVERALL HEIGHT |                       |  |                       | FREE-LIFT                                |         | TILT RANGE |                | LOAD CAPACITY AT 24 IN. (600 MM) LOAD CENTER |         |
|--|------------------------------------|----------------|-----------------------|--|-----------------------|--|---------|------------|----------------|--|---------|
|  |                                    | LOWERED        | EXTENDED              |  | WITHOUT LOAD BACKREST | WITH STANDARD LOAD BACKREST <sup>1</sup> | FWD     | BWD        | STANDARD TREAD | WIDE TREAD                                   |         |
|  |                                    |                | WITHOUT LOAD BACKREST | WITH STANDARD LOAD BACKREST <sup>1</sup> |                       |  |         |            |                |  | deg     |
|  |                                    | in (mm)        | in (mm)               | in (mm)                                  | in (mm)               | in (mm)                                  | in (mm) | deg        | deg            | lb (kg)                                      | lb (kg) |
| <b>8FBCH25U</b>                        |                                    |                |                       |  |                       |  |         |            |                |  |         |
| Wide Visible (V)                       | 80 (2040)                          | 57.5 (1465)    | 105.9 (3690)          | 128.3 (3260)                             | 6.1 (155)             | 6.1 (155)                                | 6       | 5          | 5000 (2270)    | 5000 (2270)                                  |         |
|  | 119.5 (3040)                       | 77.4 (1965)    | 145.2 (3690)          | 167.7 (4260)                             | 6.1 (155)             | 6.1 (155)                                | 6       | 8          | 5000 (2270)    | 5000 (2270)                                  |         |
|  | 131.5 (3340)                       | 83.3 (2115)    | 157.1 (3990)          | 179.5 (4560)                             | 6.1 (155)             | 6.1 (155)                                | 6       | 8          | 5000 (2270)    | 5000 (2270)                                  |         |
|  | 139 (3540)                         | 87.2 (2215)    | 164.9 (4190)          | 187.4 (4760)                             | 6.1 (155)             | 6.1 (155)                                | 6       | 8          | 5000 (2270)    | 5000 (2270)                                  |         |
|  | 147 (3740)                         | 93.5 (2375)    | 173.8 (4390)          | 195.3 (4960)                             | 6.1 (155)             | 6.1 (155)                                | 6       | 8          | 5000 (2270)    | 5000 (2270)                                  |         |
|  | 159 (4040)                         | 101 (2565)     | 184.6 (4690)          | 207.1 (5260)                             | 6.1 (155)             | 6.1 (155)                                | 6       | 8          | 5000 (2270)    | 5000 (2270)                                  |         |
| Full Free-Lift 2-Stage (FV)            | 119.5 (3040)                       | 77.4 (1965)    | 143.5 (3645)          | 167.7 (4260)                             | 53.6 (1360)           | 29.3 (745)                               | 6       | 8          | 5000 (2270)    | 5000 (2270)                                  |         |
|  | 131.5 (3340)                       | 93.3 (2115)    | 155.3 (3945)          | 179.5 (4560)                             | 59.5 (1510)           | 35.2 (895)                               | 6       | 8          | 5000 (2270)    | 5000 (2270)                                  |         |
|  | 139 (3540)                         | 87.2 (2215)    | 163.1 (4145)          | 187.4 (4760)                             | 63.4 (1610)           | 39.2 (995)                               | 6       | 8          | 5000 (2270)    | 5000 (2270)                                  |         |
| Full Free-Lift 3-Stage (FSV)           | 159 (4040)                         | 73.4 (1865)    | 184.2 (4680)          | 207.1 (5260)                             | 48.1 (1220)           | 25.4 (645)                               | 6       | 5          | 5000 (2270)    | 5000 (2270)                                  |         |
|  | 170.5 (4340)                       | 77.4 (1965)    | 196 (4980)            | 218.9 (5560)                             | 52 (1320)             | 29.4 (945)                               | 6       | 5          | 5000 (2270)    | 5000 (2270)                                  |         |
|  | 189 (4800)                         | 83.3 (2115)    | 214.3 (5445)          | 237.2 (6025)                             | 57.9 (1470)           | 35.3 (895)                               | 6       | 5          | 4850 (2220)    | 4850 (2220)                                  |         |
|  | 198 (5040)                         | 87.2 (2215)    | 223.6 (5680)          | 246.5 (6260)                             | 61.9 (1570)           | 39.2 (995)                               | 6       | 5          | 4760 (2150)    | 4760 (2150)                                  |         |
|  | 218 (5540)                         | 93.5 (2375)    | 243.3 (6180)          | 266.1 (6760)                             | 68.2 (1730)           | 45.5 (1155)                              | 6       | 5          | 4600 (2090)    | 4600 (2090)                                  |         |
| Open-View Full Free-Lift 3-Stage (FSW) | 237.5 (6040)                       | 101 (2565)     | 263 (6680)            | 285.8 (7260)                             | 75.6 (1920)           | 53 (1345)                                | 6       | 5          | —              | 4150 (1880)                                  |         |
|  | 188 (4800)                         | 83 (2110)      | 208 (5285)            | 236 (5995)                               | 64 (1625)             | 35 (890)                                 | 6       | 5          | 4850 (2220)    | 4850 (2220)                                  |         |
|  | 191 (4900)                         | 84 (2135)      | 211 (5360)            | 239 (6070)                               | 65 (1650)             | 36 (915)                                 | 6       | 5          | 4760 (2170)    | 4760 (2170)                                  |         |
|  | 203 (5200)                         | 88 (2235)      | 223 (5665)            | 251 (6375)                               | 69 (1755)             | 40 (1015)                                | 6       | 5          | 4500 (2060)    | 4500 (2060)                                  |         |
|  | 224 (5700)                         | 95 (2415)      | 244 (6200)            | 272 (6910)                               | 76 (1930)             | 47 (1195)                                | 6       | 5          | —              | 4000 (1830)                                  |         |
| Full Free-Lift 4-Stage (QFV)           | 227 (5800)                         | 99 (2515)      | 247 (6275)            | 275 (6985)                               | 80 (2030)             | 51 (1295)                                | 6       | 5          | —              | 3900 (1780)                                  |         |
|  | 241.5 (6135)                       | 83.1 (2110)    | 262.6 (6670)          | 289.6 (7355)                             | 62.1 (1575)           | 35 (890)                                 | 6       | 3          | —              | 4250 (1930)                                  |         |
| Full Free-Lift 4-Stage (QFV)           | 259.5 (6595)                       | 89 (2260)      | 280.7 (7130)          | 307.7 (7815)                             | 68 (1725)             | 40.9 (1040)                              | 6       | 3          | —              | 4000 (1810)                                  |         |
|  | 278 (7055)                         | 95.3 (2420)    | 298.8 (7590)          | 325.8 (8275)                             | 74.3 (1885)           | 47.2 (1200)                              | 6       | 3          | —              | 3700 (1670)                                  |         |

\* All capacities of 1500 lbs. or less are subject to a secondary review & could be denied by Toyota.

<sup>1</sup> Height of standard load backrest is 48" (1220 mm).

<sup>2</sup> QFV masts are equipped with 3 degree back tilt as standard.

# MAST SPECIFICATIONS

| MAST TYPE                                 | MAXIMUM FORK HEIGHT (TOP OF FORKS) | OVERALL HEIGHT |                       |  |                       | FREE-LIFT                                |     | TILT RANGE |                | LOAD CAPACITY AT 24 IN. (600 MM) LOAD CENTER |     |
|---|------------------------------------|----------------|-----------------------|--|-----------------------|--|-----|------------|----------------|--|-----|
|   |                                    | LOWERED        | EXTENDED              |  | WITHOUT LOAD BACKREST | WITH STANDARD LOAD BACKREST <sup>1</sup> | FWD | BWD        | STANDARD TREAD | WIDE TREAD                                   |     |
|   |                                    |                | WITHOUT LOAD BACKREST | WITH STANDARD LOAD BACKREST <sup>1</sup> |                       |  |     |            |                |  | deg |
| in (mm)                                   |                                    |                |                       |  |                       |  |     |            |                |  |     |
| <b>8FBC28U</b>                            |                                    |                |                       |  |                       |  |     |            |                |  |     |
| Wide Visible (V)                          | 80 (2045)                          | 57.5 (1460)    | 107.9 (2740)          | 128.5 (3265)                             | 5.3 (135)             | 5.3 (135)                                | 6   | 5          | 5500 (2490)    | 5500 (2490)                                  |     |
|   | 119.5 (3045)                       | 77.2 (1960)    | 147.2 (3740)          | 167.9 (4265)                             | 5.3 (135)             | 5.3 (135)                                | 6   | 8          | 5500 (2490)    | 5500 (2490)                                  |     |
|   | 131.5 (3345)                       | 83.1 (2110)    | 159.1 (4040)          | 179.7 (4565)                             | 5.3 (135)             | 5.3 (135)                                | 6   | 8          | 5500 (2490)    | 5500 (2490)                                  |     |
|   | 139.5 (3545)                       | 87 (2210)      | 166.9 (4240)          | 187.6 (4765)                             | 5.3 (135)             | 5.3 (135)                                | 6   | 8          | 5500 (2490)    | 5500 (2490)                                  |     |
|   | 147 (3745)                         | 93.3 (2370)    | 174.8 (4440)          | 195.5 (4965)                             | 5.3 (135)             | 5.3 (135)                                | 6   | 8          | 5500 (2490)    | 5500 (2490)                                  |     |
|   | 159 (4045)                         | 100.8 (2560)   | 186.6 (4740)          | 207.3 (5265)                             | 5.3 (135)             | 5.3 (135)                                | 6   | 8          | 5500 (2490)    | 5500 (2490)                                  |     |
| Full Free-Lift 2-Stage (FV)               | 119.5 (3045)                       | 77.2 (1960)    | 143.9 (3655)          | 167.8 (4265)                             | 53.2 (1350)           | 29.2 (740)                               | 6   | 8          | 5500 (2490)    | 5500 (2490)                                  |     |
|   | 131.5 (3345)                       | 83.1 (2110)    | 155.7 (3955)          | 179.7 (4565)                             | 59.1 (1500)           | 35.1 (890)                               | 6   | 8          | 5500 (2490)    | 5500 (2490)                                  |     |
|   | 139.5 (3545)                       | 87 (2210)      | 163.5 (4155)          | 187.5 (4765)                             | 63.1 (1600)           | 39.1 (990)                               | 6   | 8          | 5500 (2490)    | 5500 (2490)                                  |     |
| Full Free-Lift 3-Stage (FSV)              | 159 (4045)                         | 77.2 (1960)    | 183.2 (4655)          | 207.2 (5265)                             | 53.1 (1350)           | 29.2 (740)                               | 6   | 5          | 5500 (2490)    | 5500 (2490)                                  |     |
|   | 171 (4345)                         | 83.1 (2110)    | 195 (4955)            | 219 (5565)                               | 59.1 (1500)           | 35.1 (890)                               | 6   | 5          | 5350 (2430)    | 5350 (2430)                                  |     |
|   | 187 (4760)                         | 87 (2210)      | 210.8 (5355)          | 234.8 (5965)                             | 63 (1600)             | 39.1 (990)                               | 6   | 5          | 5300 (2400)    | 5300 (2400)                                  |     |
|   | 198.5 (5045)                       | 93.3 (2370)    | 222.6 (5655)          | 246.6 (6265)                             | 69.3 (1760)           | 45.4 (1150)                              | 6   | 5          | 5250 (2380)    | 5250 (2380)                                  |     |
|   | 218 (5545)                         | 100.8 (2560)   | 242.3 (6155)          | 266.3 (6765)                             | 76.8 (1950)           | 52.9 (1340)                              | 6   | 5          | 5050 (2290)    | 5050 (2290)                                  |     |
|   | 237.5 (6045)                       | 110.6 (2810)   | 262 (6655)            | 284.9 (7265)                             | 86.6 (2200)           | 62.7 (1590)                              | 6   | 5          | 4250 (1920)    | 4850 (2200)                                  |     |
| Open-View Full Free-Lift 3-Stage (FSW)    | 159 (4040)                         | 77 (1955)      | 179 (4545)            | 207 (5265)                               | 51 (1295)             | 29 (735)                                 | 6   | 5          | 5500 (2490)    | 5500 (2490)                                  |     |
|   | 177 (4500)                         | 83 (2110)      | 197 (5005)            | 225 (5565)                               | 57 (1450)             | 35 (890)                                 | 6   | 5          | 5250 (2430)    | 5350 (2430)                                  |     |
|   | 188 (4780)                         | 88 (2235)      | 208 (5285)            | 236 (5965)                               | 62 (1575)             | 40 (1015)                                | 6   | 5          | 5300 (2400)    | 5300 (2400)                                  |     |
|   | 199 (5060)                         | 93 (2360)      | 219 (5565)            | 247 (6265)                               | 67 (1700)             | 45 (1145)                                | 6   | 5          | 5250 (2380)    | 5250 (2380)                                  |     |
|   | 218 (5540)                         | 102 (2590)     | 238 (6045)            | 266 (6765)                               | 76 (1930)             | 54 (1370)                                | 6   | 5          | 5000 (2270)    | 5000 (2270)                                  |     |
|   | 238 (6050)                         | 112 (2845)     | 258 (6555)            | 286 (7265)                               | 86 (2185)             | 64 (1625)                                | 6   | 5          | 4250 (1920)    | 4850 (2200)                                  |     |
| Full Free-Lift 4-Stage (QFV) <sup>2</sup> | 241.5 (6135)                       | 83.1 (2110)    | 262.6 (6670)          | 289.6 (7355)                             | 62.1 (1575)           | 35 (890)                                 | 6   | 3          | —              | 4500 (200)                                   |     |
|   | 259.5 (6595)                       | 89 (2260)      | 280.7 (7130)          | 307.7 (7815)                             | 68 (1725)             | 40.9 (1040)                              | 6   | 3          | —              | 4200 (1900)                                  |     |
|   | 278 (7055)                         | 95.3 (2420)    | 298.8 (7590)          | 325.8 (8275)                             | 74.3 (1885)           | 47.2 (1200)                              | 6   | 3          | —              | 4000 (1810)                                  |     |

| MAST TYPE                                 | MAXIMUM FORK HEIGHT (TOP OF FORKS) | OVERALL HEIGHT |                       |  |                       | FREE-LIFT                                |     | TILT RANGE |                | LOAD CAPACITY AT 24 IN. (600 MM) LOAD CENTER |     |
|---|------------------------------------|----------------|-----------------------|--|-----------------------|--|-----|------------|----------------|--|-----|
|   |                                    | LOWERED        | EXTENDED              |  | WITHOUT LOAD BACKREST | WITH STANDARD LOAD BACKREST <sup>1</sup> | FWD | BWD        | STANDARD TREAD | WIDE TREAD                                   |     |
|   |                                    |                | WITHOUT LOAD BACKREST | WITH STANDARD LOAD BACKREST <sup>1</sup> |                       |  |     |            |                |  | deg |
| in (mm)                                   |                                    |                |                       |  |                       |  |     |            |                |  |     |
| <b>8FBC30U</b>                            |                                    |                |                       |  |                       |  |     |            |                |  |     |
| Wide Visible (V)                          | 80 (2045)                          | 57.5 (1460)    | 107.9 (2740)          | 128.5 (3265)                             | 5.3 (135)             | 5.3 (135)                                | 6   | 5          | 6000 (2720)    | 6000 (2720)                                  |     |
|   | 119.5 (3045)                       | 77.2 (1960)    | 147.2 (3740)          | 167.9 (4265)                             | 5.3 (135)             | 5.3 (135)                                | 6   | 8          | 6000 (2720)    | 6000 (2720)                                  |     |
|   | 131.5 (3345)                       | 83.1 (2110)    | 159.1 (4040)          | 179.7 (4565)                             | 5.3 (135)             | 5.3 (135)                                | 6   | 8          | 6000 (2720)    | 6000 (2720)                                  |     |
|   | 139.5 (3545)                       | 87 (2210)      | 166.9 (4240)          | 187.6 (4765)                             | 5.3 (135)             | 5.3 (135)                                | 6   | 8          | 6000 (2720)    | 6000 (2720)                                  |     |
|   | 147 (3745)                         | 93.3 (2370)    | 174.8 (4440)          | 195.5 (4965)                             | 5.3 (135)             | 5.3 (135)                                | 6   | 8          | 6000 (2720)    | 6000 (2720)                                  |     |
|   | 159 (4045)                         | 100.8 (2560)   | 186.6 (4740)          | 207.3 (5265)                             | 5.3 (135)             | 5.3 (135)                                | 6   | 8          | 6000 (2720)    | 6000 (2720)                                  |     |
| Full Free-Lift 2-Stage (FV)               | 119.5 (3045)                       | 77.2 (1960)    | 143.9 (3655)          | 167.8 (4265)                             | 53.2 (1350)           | 29.2 (740)                               | 6   | 8          | 6000 (2720)    | 6000 (2720)                                  |     |
|   | 131.5 (3345)                       | 83.1 (2110)    | 155.7 (3955)          | 179.7 (4565)                             | 59.1 (1500)           | 35.1 (890)                               | 6   | 8          | 6000 (2720)    | 6000 (2720)                                  |     |
|   | 139.5 (3545)                       | 87 (2210)      | 163.5 (4155)          | 187.5 (4765)                             | 63.1 (1600)           | 39.1 (990)                               | 6   | 8          | 6000 (2720)    | 6000 (2720)                                  |     |
| Full Free-Lift 3-Stage (FSV)              | 159 (4045)                         | 77.2 (1960)    | 183.2 (4655)          | 207.2 (5265)                             | 53.1 (1350)           | 29.2 (740)                               | 6   | 5          | 6000 (2720)    | 6000 (2720)                                  |     |
|   | 171 (4345)                         | 83.1 (2110)    | 195 (4955)            | 219 (5565)                               | 59.1 (1500)           | 35.1 (890)                               | 6   | 5          | 5900 (2680)    | 5900 (2680)                                  |     |
|   | 187 (4760)                         | 87 (2210)      | 210.8 (5355)          | 234.8 (5965)                             | 63 (1600)             | 39.1 (990)                               | 6   | 5          | 5800 (2630)    | 5800 (2630)                                  |     |
|   | 198.5 (5045)                       | 93.3 (2370)    | 222.6 (5655)          | 246.6 (6265)                             | 69.3 (1760)           | 45.4 (1150)                              | 6   | 5          | 5650 (2560)    | 5650 (2560)                                  |     |
|   | 218 (5545)                         | 100.8 (2560)   | 242.3 (6155)          | 266.3 (6765)                             | 76.8 (1950)           | 52.9 (1340)                              | 6   | 5          | 5450 (2470)    | 5450 (2470)                                  |     |
|   | 237.5 (6045)                       | 110.6 (2810)   | 262 (6655)            | 284.9 (7265)                             | 86.6 (2200)           | 62.7 (1590)                              | 6   | 5          | 4400 (1990)    | 5000 (2260)                                  |     |
| Open-View Full Free-Lift 3-Stage (FSW)    | 159 (4040)                         | 77 (1955)      | 179 (4545)            | 207 (5265)                               | 51 (1295)             | 29 (735)                                 | 6   | 5          | 6000 (2720)    | 6000 (2720)                                  |     |
|   | 177 (4500)                         | 83 (2110)      | 197 (5005)            | 225 (5565)                               | 57 (1450)             | 35 (890)                                 | 6   | 5          | 5850 (2650)    | 5850 (2650)                                  |     |
|   | 188 (4780)                         | 88 (2235)      | 208 (5285)            | 236 (5965)                               | 62 (1575)             | 40 (1015)                                | 6   | 5          | 5800 (2630)    | 5800 (2630)                                  |     |
|   | 199 (5060)                         | 93 (2360)      | 219 (5565)            | 247 (6265)                               | 67 (1700)             | 45 (1145)                                | 6   | 5          | 5650 (2560)    | 5650 (2560)                                  |     |
|   | 218 (5540)                         | 102 (2590)     | 238 (6045)            | 266 (6765)                               | 76 (1930)             | 54 (1370)                                | 6   | 5          | 5450 (2470)    | 5450 (2470)                                  |     |
|   | 238 (6050)                         | 112 (2845)     | 258 (6555)            | 286 (7265)                               | 86 (2185)             | 64 (1625)                                | 6   | 5          | 4400 (1990)    | 5250 (2380)                                  |     |
| Full Free-Lift 4-Stage (QFV) <sup>2</sup> | 241.5 (6135)                       | 83.1 (2110)    | 262.6 (6670)          | 289.6 (7355)                             | 62.1 (1575)           | 35 (890)                                 | 6   | 3          | —              | 4500 (2040)                                  |     |
|   | 259.5 (6595)                       | 89 (2260)      | 280.7 (7130)          | 307.7 (7815)                             | 68 (1725)             | 40.9 (1040)                              | 6   | 3          | —              | 4250 (1920)                                  |     |
|   | 278 (7055)                         | 95.3 (2420)    | 298.8 (7590)          | 325.8 (8275)                             | 74.3 (1885)           | 47.2 (1200)                              | 6   | 3          | —              | 3800 (1720)                                  |     |

\* All capacities of 1500 lbs. or less are subject to a secondary review & could be denied by Toyota.

<sup>1</sup> Height of standard load backrest is 48" (1220 mm).

<sup>2</sup> QFV masts are equipped with 3 degree back tilt as standard.

| MAST TYPE                                 | MAXIMUM FORK HEIGHT (TOP OF FORKS) | OVERALL HEIGHT |                       |  |                       | FREE-LIFT                                |         | TILT RANGE |                | LOAD CAPACITY AT 24 IN. (600 MM) LOAD CENTER |         |
|---|------------------------------------|----------------|-----------------------|--|-----------------------|--|---------|------------|----------------|--|---------|
|   |                                    | LOWERED        | EXTENDED              |  | WITHOUT LOAD BACKREST | WITH STANDARD LOAD BACKREST <sup>1</sup> | FWD     | BWD        | STANDARD TREAD | WIDE TREAD                                   |         |
|   |                                    |                | WITHOUT LOAD BACKREST | WITH STANDARD LOAD BACKREST <sup>1</sup> |                       |  |         |            |                |  | deg     |
|   |                                    | in (mm)        | in (mm)               | in (mm)                                  | in (mm)               | in (mm)                                  | in (mm) | deg        | deg            | lb (kg)                                      | lb (kg) |
| <b>8FBC32U</b>                            |                                    |                |                       |  |                       |  |         |            |                |  |         |
| Wide Visible (V)                          | 80 (2045)                          | 57.5 (1460)    | 107.9 (2740)          | 128.5 (3265)                             | 5.3 (135)             | 5.3 (135)                                | 6       | 5          | 6500 (2950)    | 6500 (2950)                                  |         |
|   | 119.5 (3045)                       | 77.2 (1960)    | 147.2 (3740)          | 167.9 (4265)                             | 5.3 (135)             | 5.3 (135)                                | 6       | 8          | 6500 (2950)    | 6500 (2950)                                  |         |
|   | 131.5 (3345)                       | 83.1 (2110)    | 159.1 (4040)          | 179.7 (4565)                             | 5.3 (135)             | 5.3 (135)                                | 6       | 8          | 6500 (2950)    | 6500 (2950)                                  |         |
|   | 139.5 (3545)                       | 87 (2210)      | 166.9 (4240)          | 187.6 (4765)                             | 5.3 (135)             | 5.3 (135)                                | 6       | 8          | 6500 (2950)    | 6500 (2950)                                  |         |
|   | 147 (3745)                         | 93.3 (2370)    | 174.8 (4440)          | 195.5 (4965)                             | 5.3 (135)             | 5.3 (135)                                | 6       | 8          | 6500 (2950)    | 6500 (2950)                                  |         |
|   | 159 (4045)                         | 100.8 (2560)   | 186.6 (4740)          | 207.3 (5265)                             | 5.3 (135)             | 5.3 (135)                                | 6       | 8          | 6500 (2950)    | 6500 (2950)                                  |         |
| Full Free-Lift 2-Stage (FV)               | 119.5 (3045)                       | 77.2 (1960)    | 143.9 (3655)          | 167.8 (4265)                             | 53.2 (1350)           | 29.2 (740)                               | 6       | 8          | 6500 (2950)    | 6500 (2950)                                  |         |
|   | 131.5 (3345)                       | 83.1 (2110)    | 155.7 (3955)          | 179.7 (4565)                             | 59.1 (1500)           | 35.1 (890)                               | 6       | 8          | 6500 (2950)    | 6500 (2950)                                  |         |
|   | 139.5 (3545)                       | 87 (2210)      | 163.5 (4155)          | 187.5 (4765)                             | 63.1 (1600)           | 39.1 (990)                               | 6       | 8          | 6500 (2950)    | 6500 (2950)                                  |         |
| Full Free-Lift 3-Stage (FSV)              | 159 (4045)                         | 77.2 (1960)    | 183.2 (4655)          | 207.2 (5265)                             | 53.1 (1350)           | 29.2 (740)                               | 6       | 5          | 6500 (2950)    | 6500 (2950)                                  |         |
|   | 171 (4345)                         | 83.1 (2110)    | 195 (4955)            | 219 (5565)                               | 59.1 (1500)           | 35.1 (890)                               | 6       | 5          | 6400 (2900)    | 6400 (2900)                                  |         |
|   | 187 (4760)                         | 87 (2210)      | 210.8 (5355)          | 234.8 (5965)                             | 63 (1600)             | 39.1 (990)                               | 6       | 5          | 6300 (2860)    | 6300 (2860)                                  |         |
|   | 198.5 (5045)                       | 93.3 (2370)    | 222.6 (5655)          | 246.6 (6265)                             | 69.3 (1760)           | 45.4 (1150)                              | 6       | 5          | 6150 (2790)    | 6150 (2790)                                  |         |
|   | 218 (5545)                         | 100.8 (2560)   | 242.3 (6155)          | 266.3 (6765)                             | 76.8 (1950)           | 52.9 (1340)                              | 6       | 5          | 5900 (2680)    | 5900 (2680)                                  |         |
|   | 237.5 (6045)                       | 110.6 (2810)   | 262 (6655)            | 284.9 (7265)                             | 86.6 (2200)           | 62.7 (1590)                              | 6       | 5          | 4250 (1920)    | 5700 (2590)                                  |         |
| Open-View Full Free-Lift 3-Stage (FSW)    | 159 (4040)                         | 77 (1955)      | 179 (4545)            | 207 (5265)                               | 51 (1295)             | 29 (735)                                 | 6       | 5          | 6500 (2950)    | 6500 (2950)                                  |         |
|   | 177 (4500)                         | 83 (2110)      | 197 (5005)            | 225 (5565)                               | 57 (1450)             | 35 (890)                                 | 6       | 5          | 6350 (2870)    | 6350 (2870)                                  |         |
|   | 188 (4780)                         | 88 (2235)      | 208 (5285)            | 236 (5965)                               | 62 (1575)             | 40 (1015)                                | 6       | 5          | 6300 (2860)    | 6300 (2860)                                  |         |
|   | 199 (5060)                         | 93 (2360)      | 219 (5565)            | 247 (6265)                               | 67 (1700)             | 45 (1145)                                | 6       | 5          | —              | 6150 (2790)                                  |         |
|   | 218 (5540)                         | 102 (2590)     | 238 (6045)            | 266 (6765)                               | 76 (1930)             | 54 (1370)                                | 6       | 5          | —              | 5900 (2680)                                  |         |
|   | 238 (6050)                         | 112 (2845)     | 258 (6555)            | 286 (7265)                               | 86 (2185)             | 64 (1625)                                | 6       | 5          | —              | 5700 (2590)                                  |         |
| Full Free-Lift 4-Stage (QFV) <sup>2</sup> | 241.5 (6135)                       | 83.1 (2110)    | 262.6 (6670)          | 289.6 (7355)                             | 62.1 (1575)           | 35 (890)                                 | 6       | 3          | —              | 4500 (2040)                                  |         |
|   | 259.5 (6595)                       | 89 (2260)      | 280.7 (7130)          | 307.7 (7815)                             | 68 (1725)             | 40.9 (1040)                              | 6       | 3          | —              | 4500 (2040)                                  |         |
|   | 278 (7055)                         | 95.3 (2420)    | 298.8 (7590)          | 325.8 (8275)                             | 74.3 (1885)           | 47.2 (1200)                              | 6       | 3          | —              | 3900 (1760)                                  |         |

| MAST TYPE                                 | MAXIMUM FORK HEIGHT (TOP OF FORKS) | OVERALL HEIGHT |                       |  |                       | FREE-LIFT                                |         | TILT RANGE |                | LOAD CAPACITY AT 24 IN. (600 MM) LOAD CENTER |         |
|---|------------------------------------|----------------|-----------------------|--|-----------------------|--|---------|------------|----------------|--|---------|
|   |                                    | LOWERED        | EXTENDED              |  | WITHOUT LOAD BACKREST | WITH STANDARD LOAD BACKREST <sup>1</sup> | FWD     | BWD        | STANDARD TREAD | WIDE TREAD                                   |         |
|   |                                    |                | WITHOUT LOAD BACKREST | WITH STANDARD LOAD BACKREST <sup>1</sup> |                       |  |         |            |                |  | deg     |
|   |                                    | in (mm)        | in (mm)               | in (mm)                                  | in (mm)               | in (mm)                                  | in (mm) | deg        | deg            | lb (kg)                                      | lb (kg) |
| <b>8FBCH32U</b>                           |                                    |                |                       |  |                       |  |         |            |                |  |         |
| Wide Visible (V)                          | 80 (2045)                          | 57.5 (1460)    | 107.9 (2740)          | 128.5 (3265)                             | 5.3 (135)             | 5.3 (135)                                | 6       | 5          | 6500 (2950)    | 6500 (2950)                                  |         |
|   | 119.5 (3045)                       | 77.2 (1960)    | 147.2 (3740)          | 167.9 (4265)                             | 5.3 (135)             | 5.3 (135)                                | 6       | 8          | 6500 (2950)    | 6500 (2950)                                  |         |
|   | 131.5 (3345)                       | 83.1 (2110)    | 159.1 (4040)          | 179.7 (4565)                             | 5.3 (135)             | 5.3 (135)                                | 6       | 8          | 6500 (2950)    | 6500 (2950)                                  |         |
|   | 139.5 (3545)                       | 87 (2210)      | 166.9 (4240)          | 187.6 (4765)                             | 5.3 (135)             | 5.3 (135)                                | 6       | 8          | 6500 (2950)    | 6500 (2950)                                  |         |
|   | 147 (3745)                         | 93.3 (2370)    | 174.8 (4440)          | 195.5 (4965)                             | 5.3 (135)             | 5.3 (135)                                | 6       | 8          | 6500 (2950)    | 6500 (2950)                                  |         |
|   | 159 (4045)                         | 100.8 (2560)   | 186.6 (4740)          | 207.3 (5265)                             | 5.3 (135)             | 5.3 (135)                                | 6       | 8          | 6500 (2950)    | 6500 (2950)                                  |         |
| Full Free-Lift 2-Stage (FV)               | 119.5 (3045)                       | 77.2 (1960)    | 143.9 (3655)          | 167.8 (4265)                             | 53.2 (1350)           | 29.2 (740)                               | 6       | 8          | 6500 (2950)    | 6500 (2950)                                  |         |
|   | 131.5 (3345)                       | 83.1 (2110)    | 155.7 (3955)          | 179.7 (4565)                             | 59.1 (1500)           | 35.1 (890)                               | 6       | 8          | 6500 (2950)    | 6500 (2950)                                  |         |
|   | 139.5 (3545)                       | 87 (2210)      | 163.5 (4155)          | 187.5 (4765)                             | 63.1 (1600)           | 39.1 (990)                               | 6       | 8          | 6500 (2950)    | 6500 (2950)                                  |         |
| Full Free-Lift 3-Stage (FSV)              | 159 (4045)                         | 77.2 (1960)    | 183.2 (4655)          | 207.2 (5265)                             | 53.1 (1350)           | 29.2 (740)                               | 6       | 5          | 6500 (2950)    | 6500 (2950)                                  |         |
|   | 171 (4345)                         | 83.1 (2110)    | 195 (4955)            | 219 (5565)                               | 59.1 (1500)           | 35.1 (890)                               | 6       | 5          | 6400 (2900)    | 6400 (2900)                                  |         |
|   | 187 (4760)                         | 87 (2210)      | 210.8 (5355)          | 234.8 (5965)                             | 63 (1600)             | 39.1 (990)                               | 6       | 5          | 6300 (2860)    | 6300 (2860)                                  |         |
|   | 198.5 (5045)                       | 93.3 (2370)    | 222.6 (5655)          | 246.6 (6265)                             | 69.3 (1760)           | 45.4 (1150)                              | 6       | 5          | 6150 (2790)    | 6150 (2790)                                  |         |
|   | 218 (5545)                         | 100.8 (2560)   | 242.3 (6155)          | 266.3 (6765)                             | 76.8 (1950)           | 52.9 (1340)                              | 6       | 5          | 5900 (2680)    | 5900 (2680)                                  |         |
|   | 237.5 (6045)                       | 110.6 (2810)   | 262 (6655)            | 284.9 (7265)                             | 86.6 (2200)           | 62.7 (1590)                              | 6       | 5          | 4250 (1920)    | 5700 (2590)                                  |         |
| Open-View Full Free-Lift 3-Stage (FSW)    | 159 (4040)                         | 77 (1955)      | 179 (4545)            | 207 (5265)                               | 51 (1295)             | 29 (735)                                 | 6       | 5          | 6500 (2950)    | 6500 (2950)                                  |         |
|   | 177 (4500)                         | 83 (2110)      | 197 (5005)            | 225 (5565)                               | 57 (1450)             | 35 (890)                                 | 6       | 5          | 6350 (2870)    | 6350 (2870)                                  |         |
|   | 188 (4780)                         | 88 (2235)      | 208 (5285)            | 236 (5965)                               | 62 (1575)             | 40 (1015)                                | 6       | 5          | 6300 (2860)    | 6300 (2860)                                  |         |
|   | 199 (5060)                         | 93 (2360)      | 219 (5565)            | 247 (6265)                               | 67 (1700)             | 45 (1145)                                | 6       | 5          | —              | 6150 (2790)                                  |         |
|   | 218 (5540)                         | 102 (2590)     | 238 (6045)            | 266 (6765)                               | 76 (1930)             | 54 (1370)                                | 6       | 5          | —              | 5900 (2680)                                  |         |
|   | 238 (6050)                         | 112 (2845)     | 258 (6555)            | 286 (7265)                               | 86 (2185)             | 64 (1625)                                | 6       | 5          | —              | 5700 (2590)                                  |         |
| Full Free-Lift 4-Stage (QFV) <sup>2</sup> | 241.5 (6135)                       | 83.1 (2110)    | 262.6 (6670)          | 289.6 (7355)                             | 62.1 (1575)           | 35 (890)                                 | 6       | 3          | —              | 4500 (2040)                                  |         |
|   | 259.5 (6595)                       | 89 (2260)      | 280.7 (7130)          | 307.7 (7815)                             | 68 (1725)             | 40.9 (1040)                              | 6       | 3          | —              | 4500 (2040)                                  |         |
|   | 278 (7055)                         | 95.3 (2420)    | 298.8 (7590)          | 325.8 (8275)                             | 74.3 (1885)           | 47.2 (1200)                              | 6       | 3          | —              | 3900 (1760)                                  |         |

\* All capacities of 1500 lbs. or less are subject to a secondary review & could be denied by Toyota.

<sup>1</sup> Height of standard load backrest is 48" (1220 mm).

<sup>2</sup> QFV masts are equipped with 3 degree back tilt as standard.

# HEIGHTENED AWARENESS FOR INCREASED PERFORMANCE

While moving product quickly and efficiently through your facility is important, the comfort and security of operators and pedestrians must also be a top priority. Toyota has engineered SEnS+ Smart Environment Sensor Plus®, a state-of-the-art stereoscopic vision technology, to assist operators in identifying pedestrians or objects during a shift. SEnS+ Smart Environment Sensor Plus® not only detects pedestrians, but it utilizes forklift sensor technology to automatically slow down the forklift when objects and pedestrians are detected. With dynamic zoning, SEnS+ adjusts the range of detection based on the speed of the forklift.

Visit us at <https://www.toyotaforklift.com/sens-smart-environment-sensor> for more information.

